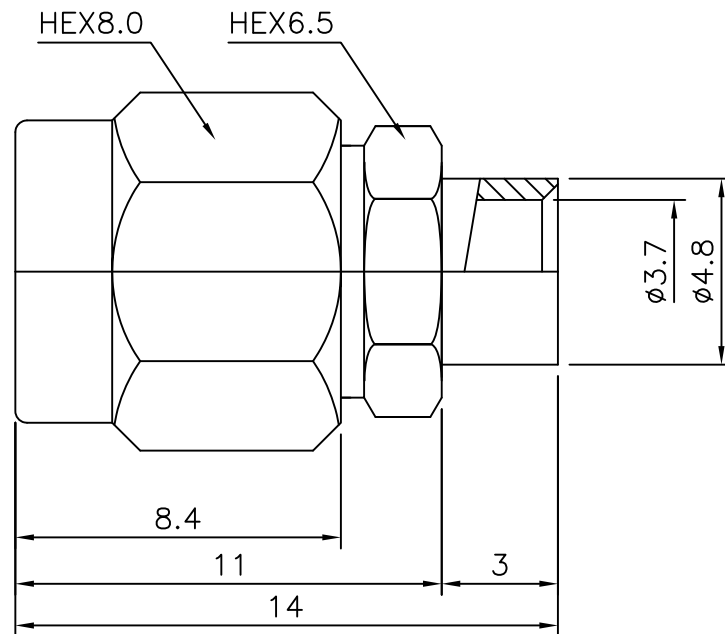


No.	Revision	Date	Name
△	PN Change from 1S-102-AT01	20/DEC/2013	S.J.PARK
△			



SMA-Straight-PLUG (Anti-torque)
for Cable-UT141

Connector parts	Materials	Finish
Coupling Cap	Stainless steel	Passivated
Body	Brass	Gold Plated
Center contact	Brass	Gold Plated
Insulator	PTFE	-

NO.	DESCRIPTION	Q'TY	MATERIAL	FINISH	REMARKS.
PARTS No.	SMA-102-020		NAME	SMA-SP-141	APPROVED
MATERIAL	FINISH	TOLERANCES OTHERWISE SPEC. ±0.05		ANGLES ±1°	CHECKED
SCALE		UNIT	mm		DESIGNED S.J.LEE
DWG NO.		SMA-102-020		DATE.	2001.05/07

CUSTOMER

