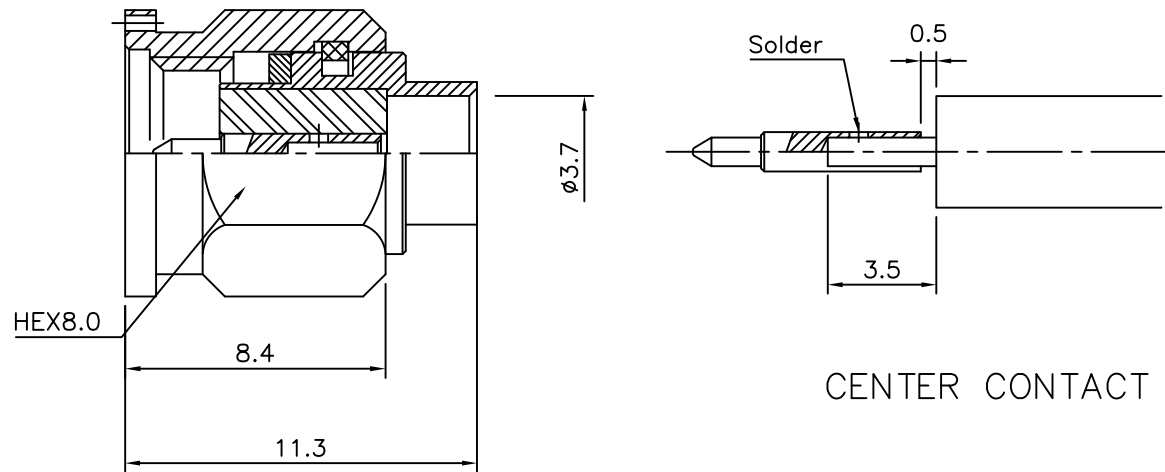


No.	Revision	Date	Name
△			
△			

**SPECIFICATIONS**

Impedance ; 50ohm  
 Frequency range ; DC~18GHz  
 Insertion loss ; 0.15dB max@18GHz  
 V.S.W.R ; 1.20:1 max@18GHz  
 Temperature range : -55°C to +155°C

RoHS Compliant



CENTER CONTACT ASS'Y

SMA-Straight-PLUG  
 for Cable-UT141  
 (with Wire lock hole)

Connector parts	Materials	Finish
Coupling Cap	Stainless steel	Passivated
Body	Stainless steel	Gold Plated
Center contact	Brass	Gold Plated
Insulator	PTFE	-
Gasket	Silicone rubber	-

NO.	DESCRIPTION	Q'TY	MATERIAL	FINISH	REMARKS.
PARTS No.	SMA-102-025		NAME	SMA-SP-141	APPROVED
MATERIAL	FINISH	TOLERANCES OTHERWISE SPEC. ±0.05		ANGLES ±1°	CHECKED
SCALE		UNIT	mm		DESIGNED S.J.LEE
DWG NO.		SMA-102-025		DATE.	15/JAN/2014

CUSTOMER

