

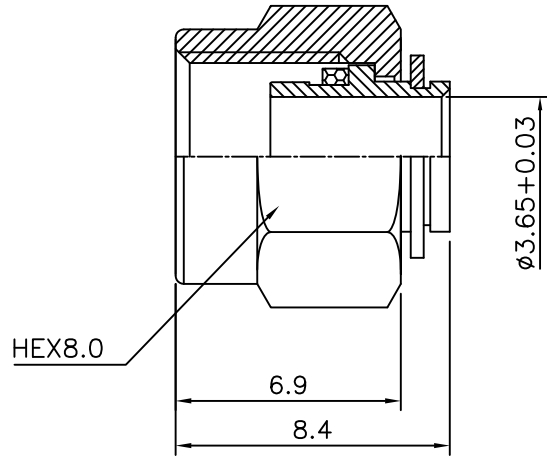
1 2 3 4 5 6

No.	Revision	Date	Name
△	PN Change from 1S-102SG-3183	23/01/2014	B.G.YUN
△			

**SPECIFICATIONS**

Impedance ; 50ohm  
 Frequency range ; DC~18GHz  
 V.S.W.R ; 1.20:1 max@18GHz  
 Temperature range : -55°C to +155°C

RoHS Compliant



SMA-Straight-PLUG  
 for Cable-UT141  
 \*(Use cable for center contact)

Connector parts	Materials	Finish
Coupling Cap	Stainless steel	Gold Plated
Body	Stainless steel	Gold Plated
Gasket	Silicone rubber	-
E-Ring	Stainless steel	Gold Plated

NO.	DESCRIPTION	Q'TY	MATERIAL	FINISH	REMARKS.
PARTS No.	SMA-102-026		NAME	SMA-SP-141	APPROVED
MATERIAL	FINISH	TOLERANCES OTHERWISE SPEC. ±0.05 ANGLES ±1°		CHECKED	
SCALE		UNIT	mm		DESIGNED S.J.LEE
DWG NO.		SMA-102-026		DATE. 11/MAR/2011	

CUSTOMER

