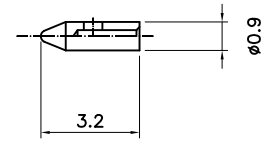
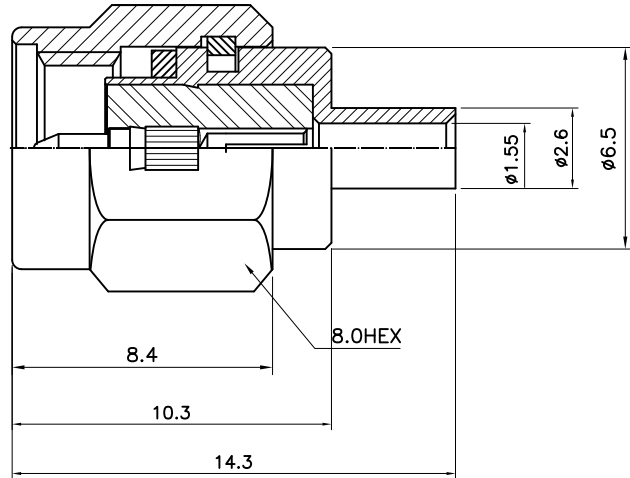


No.	Revision	Date	Name
△	PN Change from 1S-100-914D	27/06/2013	B.G.YUN
△			

RoHS Compliant



Insert pin

SMA-Straight-PLUG
for Cable-UFL066

Connector parts	Materials	Finish
Coupling Cap	Brass	Gold Plated
Body	Brass	Gold Plated
Center contact	Brass	Gold Plated
Insulator	PTFE	-
Seal	Silicon Rubber	-
Insert pin	Brass	Gold Plated

CUSTOMER

NO.	DESCRIPTION	Q'TY	MATERIAL	FINISH	REMARKS.
PARTS No.	SMA-106-001		NAME	SMA-SP-066	APPROVED
MATERIAL	FINISH	TOLERANCES OTHERWISE SPEC. ±0.05		ANGLES ±1°	CHECKED
		SCALE	UNIT mm		DESIGNED S.J.LEE
		DWG NO.	SMA-106-001		DATE. 25/JUN/2008