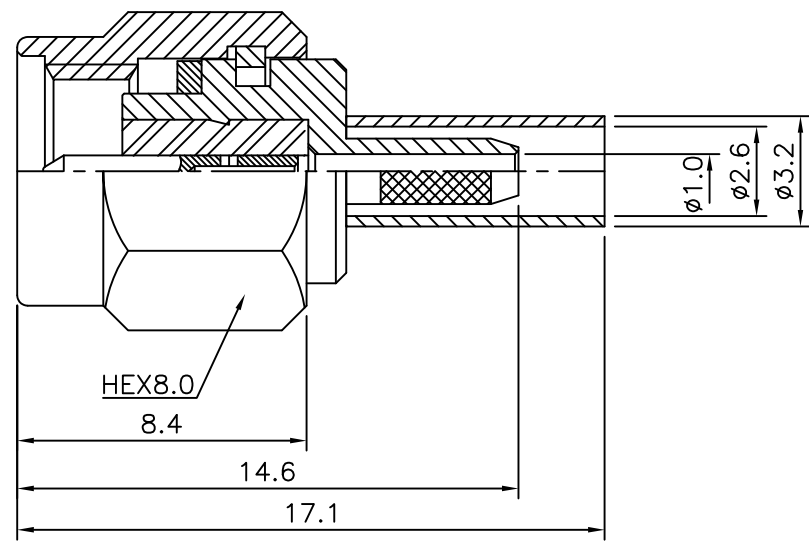


No.	Revision	Date	Name
①	PN Change from 1S-110-00	23/SEP/2013	S.J.PARK
②	Total length change from 17.4 to 17.1	23/SEP/2013	S.J.PARK

D
C
B
A



SMA-Straight-PLUG
for Cable-RG178

Connector parts	Materials	Finish
Coupling Cap	Brass	Gold Plated
Body	Brass	Gold Plated
Center contact	Brass	Gold Plated
Insulator	TEFLON	-
Ferrule	Brass	Gold Plated

CUSTOMER

NO.	DESCRIPTION	Q'TY	MATERIAL	FINISH	REMARKS.
PARTS No.	SMA-110-001		NAME	SMA-SP-178	APPROVED
MATERIAL	FINISH	TOLERANCES OTHERWISE SPEC. ±0.05		ANGLES ±1°	CHECKED
SCALE		UNIT	mm		DESIGNED S.J.LEE
DWG NO.		SMA-110-001			DATE. 2001.05/07

