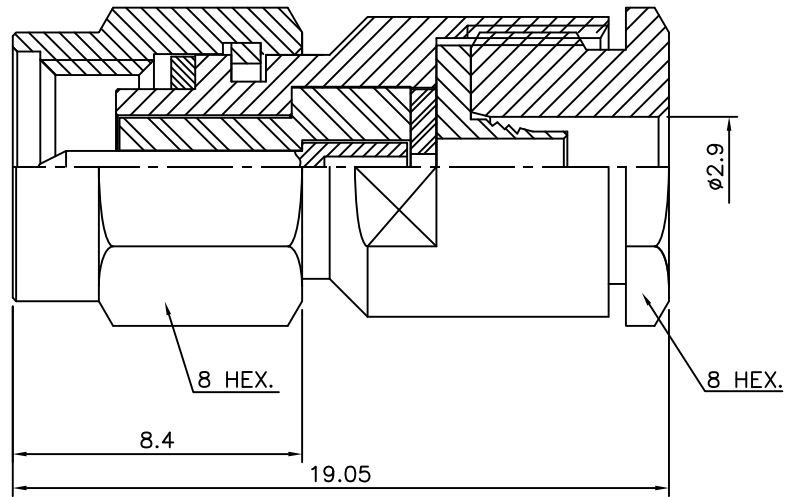


4	No.	Revision	5	Date	6	Name
	△	PN Change from 1S-1211SG-002		AUG/05/2013		S.J.PARK
	△					

RoHS Compliant



SMA-Straight-PLUG CLAMP  
for Cable-RG316

Connector parts	Materials	Finish
Coupling Cap	Stainless steel	Gold Plated
Body,Coupling Nut	Stainless steel	Gold Plated
Center contact	Brass	Gold Plated
Insulator	PTFE	-
Gasket	Silicone rubber	-

NO.	DESCRIPTION	Q'TY	MATERIAL	FINISH	REMARKS.
PARTS No.	SMA-111-006		NAME	SMA-SP-RG316 CLAMP	APPROVED
MATERIAL	FINISH	TOLERANCES OTHERWISE SPEC. ±0.05		ANGLES ±1°	CHECKED
SCALE		UNIT	DESIGNED		S.J.LEE
N/S		mm	DATE.		
DWG NO.		SMA-111-006		24/NOV/2010	

CUSTOMER



DONGJIN TI.