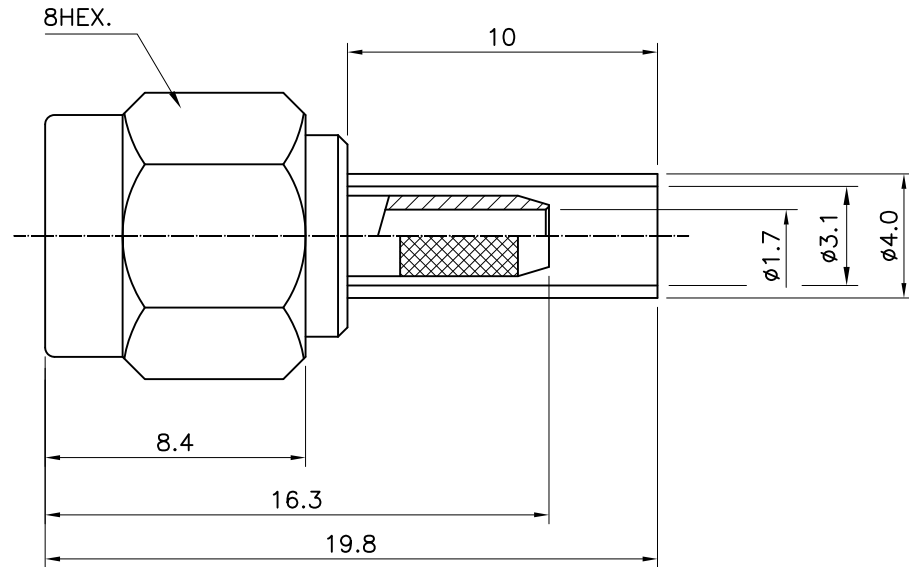


No.	Revision	Date	Name
△	PN Change from 1S-111SG-00	24/06/2013	B.G.YUN
△			

SPECIFICATIONS

Impedance ; 50ohm  
 Frequency ; DC~18GHz  
 Temperature range : -55°C to +155°C  
 2002/95/EC (RoHS) : Compliant



SMA-Straight-PLUG  
 for Cable-RG316,174

Parts	Materials	Plating
Coupling Cap	Stainless steel	Gold Plated
Body	Stainless steel	Gold Plated
Center contact	Brass	Gold Plated
Ferrule	Brass	Gold Plated
Insulator	TEFLON	-

NO.	DESCRIPTION	Q'TY	MATERIAL	FINISH	REMARKS.
PARTS No.	SMA-111-013		NAME	SMA-SP-316	APPROVED
MATERIAL	FINISH	TOLERANCES OTHERWISE SPEC. ±0.05		ANGLES ±1°	CHECKED
SCALE		UNIT	mm		DESIGNED S.J.LEE
DWG NO.		SMA-111-013		DATE. 17/JAN/2011	

CUSTOMER

 DONGJIN TI.