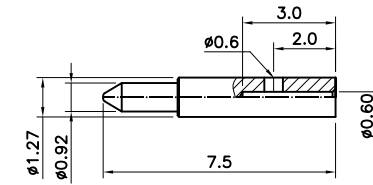
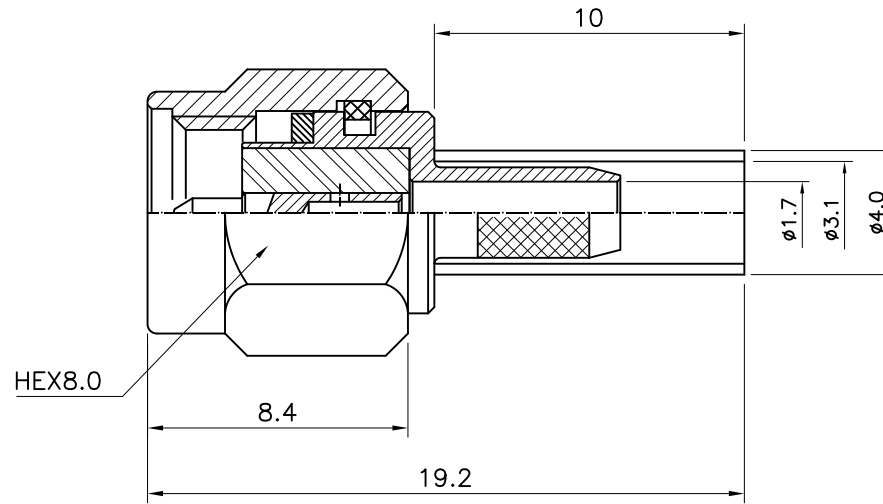


4	5	6	
No.	Revision	Date	Name
△	PN Change from 1S-111-NM00	09/07/2013	B.G.YUN
△			

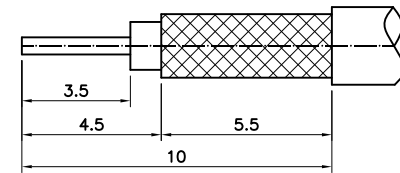
SPECIFICATIONS

Impedance ; 50ohm
 Frequency ; DC~12GHz
 Temperature range : -55°C to +155°C
 2002/95/EC (RoHS) : Compliant

RoHS Compliant



CENTER CONTACT



RECOMMENDED CABLE STRIPPING DIM'S

Recommended Crimp DIES : HEX3.3

SMA-Stright-PLUG
 for Cable:RG316
 (NON-MAGNETIC)

Connector parts	Materials	Finish
Coupling Cap	Brass	Gold Plated
Body	Brass	Gold Plated
Center contact	Beryllium copper	Gold Plated
C-Ring	Beryllium copper	-
Ferrule	Brass	Gold Plated
Insulator	PTFE	-
Gasket	Silicone rubber	-

NO.	DESCRIPTION	Q'TY	MATERIAL	FINISH	REMARKS.
PARTS No.	SMA-111-015		NAME	SMA-SP-RG316	APPROVED
MATERIAL	FINISH	TOLERANCES OTHERWISE SPEC. ±0.05		ANGLES ±1°	CHECKED
SCALE		N/S	UNIT	mm	DESIGNED S.J.LEE
DWG NO.		SMA-111-015			DATE. 24/NOV/2010

CUSTOMER

