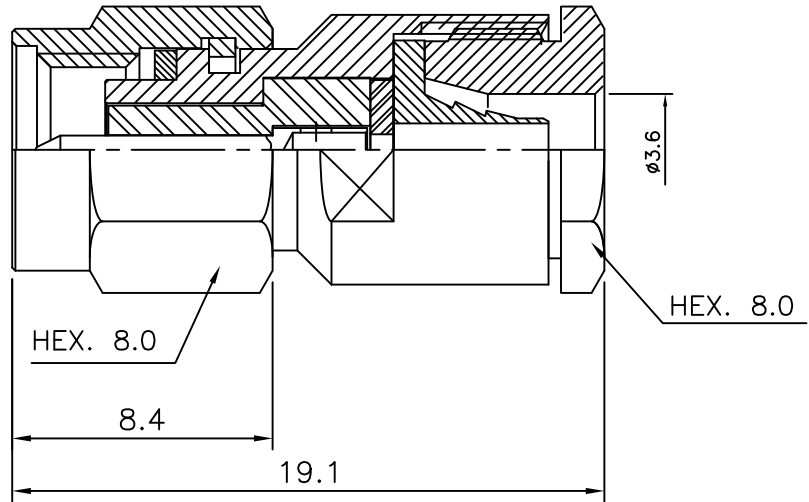


4	No.	Revision	5	Date	6	Name
	△	PN Change from 1S-1211S-019		14/JAN/2015		S.J.PARK
	△					

RoHS Compliant



SMA-Straight-PLUG CLAMP
for Cable-RG316D/S

Connector parts	Materials	Finish
Coupling Cap	Stainless steel	Passivated
Body,Coupling Nut	Stainless steel	Passivated
Center contact	Brass	Gold Plated
Insulator	PTFE	-
Gasket	Silicone rubber	-
Cable ferrule	Brass	Gold Plated

NO.	DESCRIPTION	Q'TY	MATERIAL	FINISH	REMARKS.
PARTS No. SMA-111-033		NAME SMA-SP-RG316D CLAMP		APPROVED	
MATERIAL		FINISH		TOLERANCES OTHERWISE SPEC. ±0.05 ANGLES ±1°	
SCALE N/S		UNIT mm		DESIGNED S.J.LEE	
DWG NO. SMA-111-033		DATE. 17/DEC/2010			

CUSTOMER

