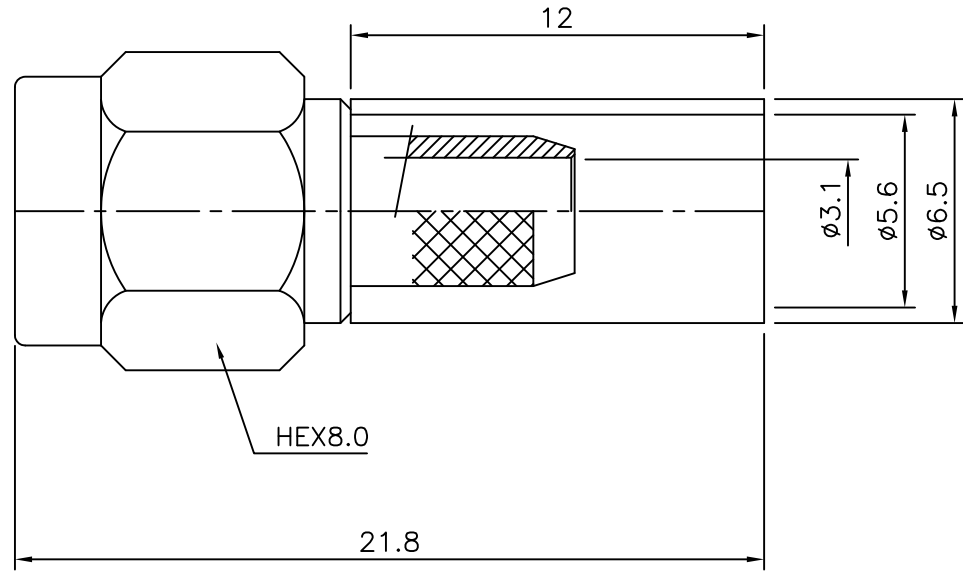


4	No.	Revision	Date	Name
	△	PN Change from 1S-112-00	10/FEB/2014	S.J.PARK
	△			

RoHS Compliant



SMA-Stright-PLUG
for Cable:RG-400,223,142

Connector parts	Materials	Finish
Coupling Cap	Brass	Gold Plated
Body	Brass	Gold Plated
Center contact	Brass	Gold Plated
Ferrule	Brass	Nickel Plated
Insulator	PTFE	-
Gasket	Silicone rubber	-

NO.	DESCRIPTION	Q'TY	MATERIAL	FINISH	REMARKS.
PARTS No.	SMA-112-001		NAME	SMA-SP-400	APPROVED
MATERIAL	FINISH	TOLERANCES OTHERWISE SPEC. ±0.05		ANGLES ±1°	CHECKED
SCALE		UNIT	DESIGNED		S.J.LEE
N/S		mm	DATE.		
DWG NO.		SMA-112-001		16/APR/2008	

CUSTOMER

