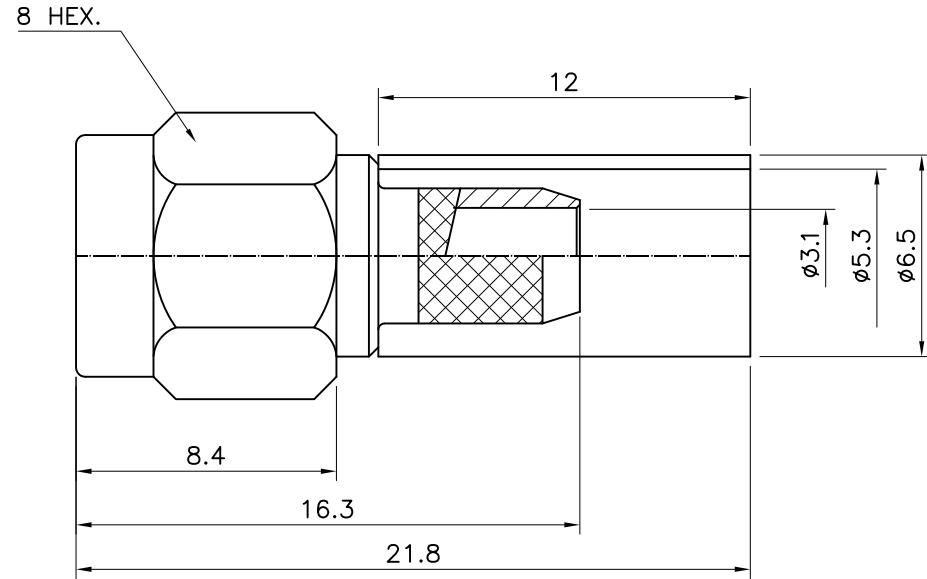


No.	Revision	Date	Name
▲	PN Change from 1S-112-58	22/07/2013	B.G.YUN
▲			

SPECIFICATIONS.

- 1.1 Impedance: 50ohm
- 1.2 Frequency Range: per cable per MIL-C-17
- 1.3 Working Voltage rating: 335 Vrms
- 1.4 Dielectric Withstanding Voltage: 1000 Vrms
- 1.5 VSWR: 1.2:1 Max
- 1.6 Insulation Resistance: 5,000 megohms
- 1.7 Connector Durability: 500 mating
- 1.8 Coupling proof torque: min. 15 inch-pounds
- 1.9 Temperature Range: -45°C~+155°C

RoHS Compliant



SMA-Stright-PLUG  
for Cable:RG58,LMR195

Connector parts	Materials	Finish
Coupling Cap	Brass	Gold Plated
Body	Brass	Gold Plated
Center contact	Brass	Gold Plated
Ferrule	Brass	Gold Plated
Insulator	PTFE	-

NO.	DESCRIPTION	Q'TY	MATERIAL	FINISH	REMARKS.
PARTS No.	SMA-112-017		NAME	SMA-SP58	APPROVED
MATERIAL	FINISH	TOLERANCES OTHERWISE SPEC. ±0.05 ANGLES ±1°		CHECKED	
SCALE N/S		UNIT mm	DESIGNED S.J.LEE		DATE. 27/JAN/2007
DWG NO. SMA-112-017					

CUSTOMER

