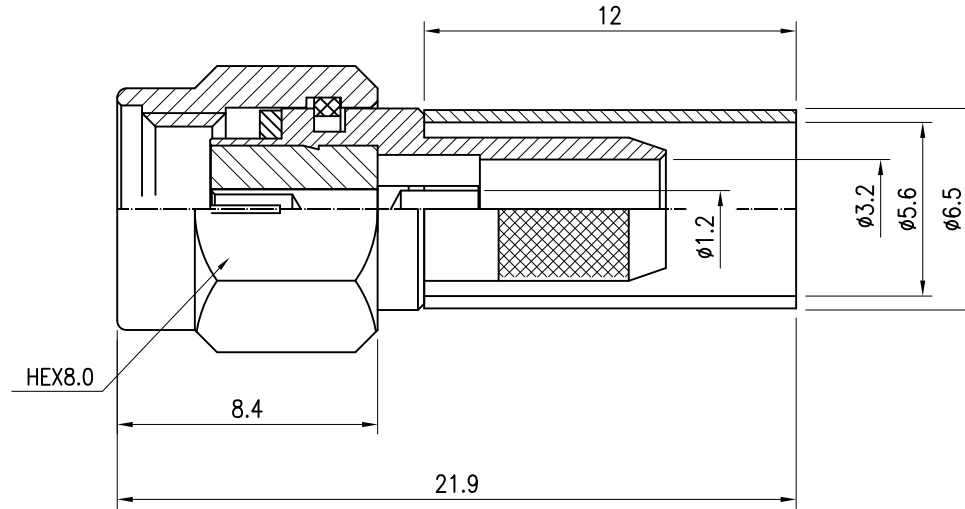


1	2	3	4	5	6
No.	Revision		Date	Name	
△	PN Change from 1S-112RP-200		20/08/2013	B.G.YUN	
△					

RoHS Compliant



SMA-Stright-PLUG (Reverse Polarity)
for Cable: LMR200

Connector parts	Materials	Finish
Coupling Cap	Brass	Gold Plated
Body	Brass	Gold Plated
Center contact	Beryllium copper	Gold Plated
Ferrule	Brass	Gold Plated
Insulator	PTFE	-

CUSTOMER

NO.	DESCRIPTION	Q'TY	MATERIAL	FINISH	REMARKS.
PARTS No.	SMA-112-019		NAME	SMA-SP-LMR200/R.P	APPROVED
MATERIAL	FINISH	TOLERANCES OTHERWISE SPEC. ±0.05		ANGLES ±1°	CHECKED
SCALE	N/S	UNIT	mm		DESIGNED S.J.LEE
DWG NO.	SMA-112-019			DATE.	24/SEP/2007



DONGJIN TI.