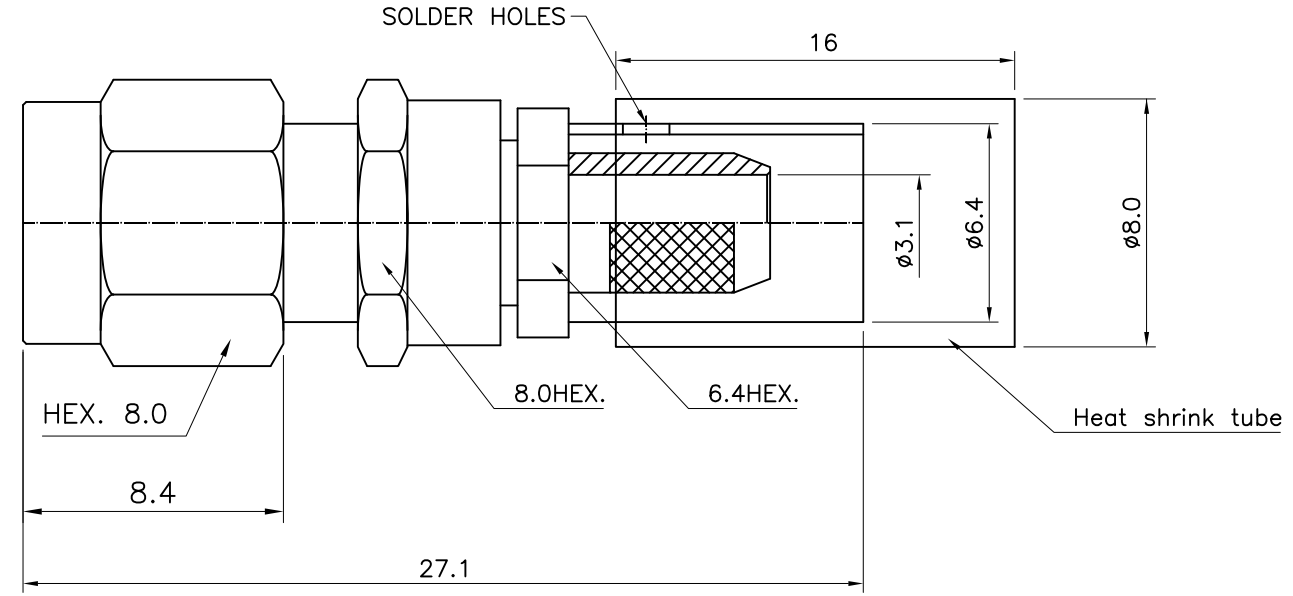


4	No.	Revision	Date	Name
	△			
	△			

RoHS Compliant



SMA-Straight-PLUG CLAMP/CRIMP  
for Cable-RG400,142

Connector parts	Materials	Finish
Coupling Cap	Stainless steel	Passivated
Body, Clamp Nut	Stainless steel	Gold Plated
Center contact	Brass	Gold Plated
Insulator	PTFE	-
Gasket	Silicone rubber	-
Cable ferrule	Brass	Gold Plated

**CUSTOMER**

NO.	DESCRIPTION	Q'TY	MATERIAL	FINISH	REMARKS.
PARTS No.	SMA-112-021		NAME	SMA-SP-RG400	APPROVED
MATERIAL	FINISH	TOLERANCES OTHERWISE SPEC. ±0.05		ANGLES ±1°	CHECKED
SCALE		N/S	UNIT	mm	DESIGNED S.J.LEE
DWG NO.		SMA-112-021		DATE. 17/OCT/2013	

