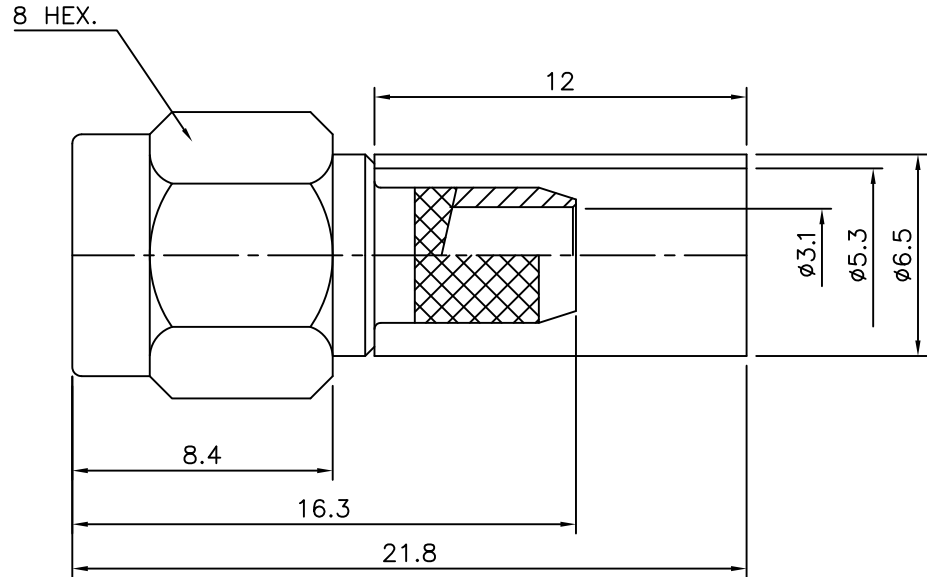


1 2 3 4 5 6

No.	Revision	Date	Name
△			
△			

RoHS Compliant



SMA-Stright-PLUG
for Cable:RG58

Connector parts	Materials	Finish
Coupling Cap	Stainless steel	Passivated
Body	Stainless steel	Passivated
Center contact	Brass	Gold Plated
Ferrule	Brass	Nickel Plated
Insulator	PTFE	-

CUSTOMER

NO.	DESCRIPTION	Q'TY	MATERIAL	FINISH	REMARKS.
PARTS No.	SMA-112-028	NAME		SMA-SP58	APPROVED
MATERIAL	FINISH	TOLERANCES		OTHERWISE SPEC. ±0.05 ANGLES ±1°	
SCALE		N/S	UNIT	mm	DESIGNED S.J.LEE
DWG NO.		SMA-112-028		DATE. 11/FEB/2014	

