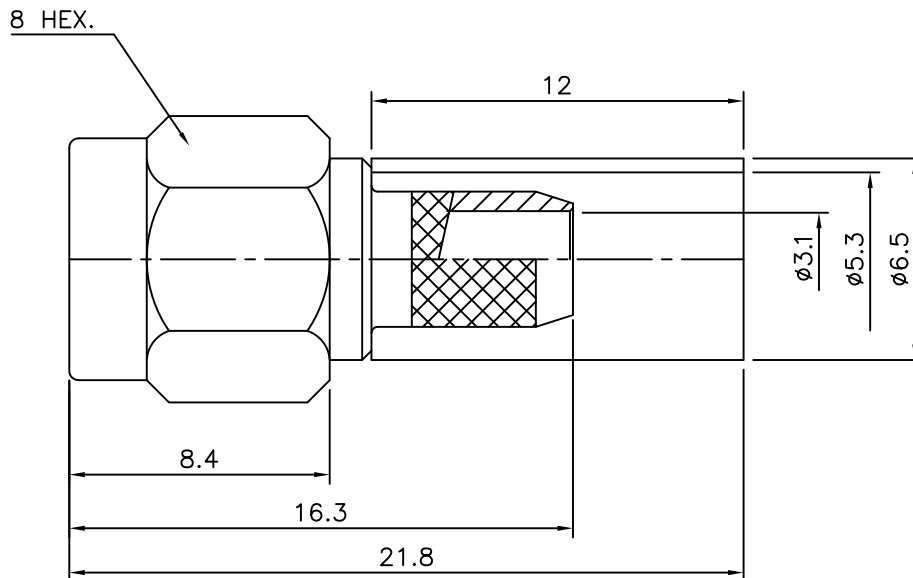


No.	Revision	Date	Name
△			
△			

RoHS Compliant



SMA-Stright-PLUG  
for Cable:RG58

Connector parts	Materials	Finish
Coupling Cap	Stainless steel	Gold Plated
Body	Stainless steel	Gold Plated
Center contact	Brass	Gold Plated
Ferrule	Brass	Gold Plated
Insulator	PTFE	-

NO.	DESCRIPTION	Q'TY	MATERIAL	FINISH	REMARKS.
PARTS No.	SMA-112-029	NAME		SMA-SP58	APPROVED
MATERIAL	FINISH	TOLERANCES OTHERWISE SPEC. ±0.05		ANGLES ±1°	CHECKED
SCALE N/S		UNIT mm	DESIGNED S.J.LEE		
DWG NO.		SMA-112-029		DATE. 11/FEB/2014	

**CUSTOMER**



DONGJIN TI.