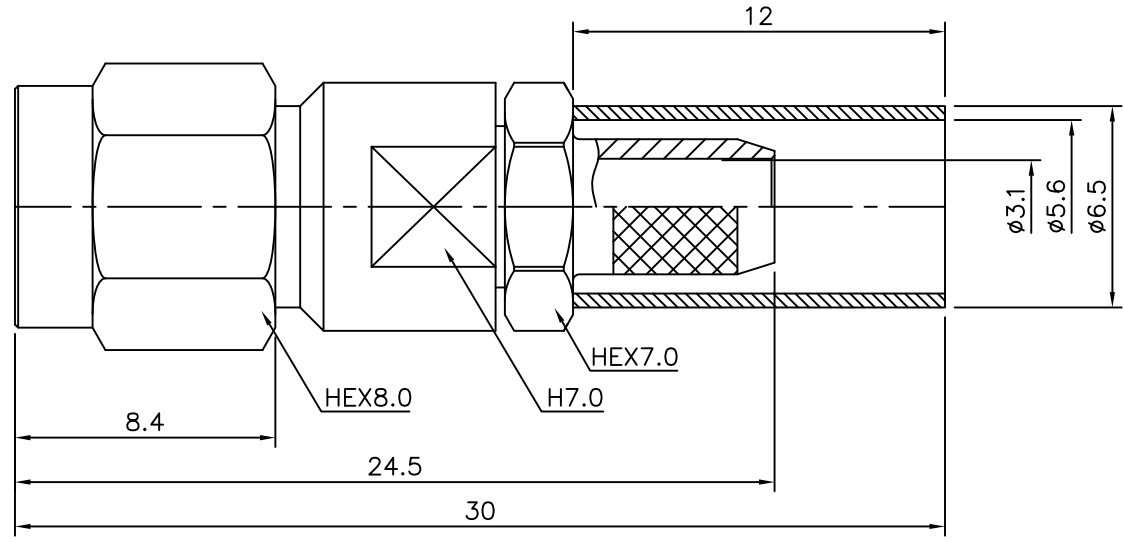


1	2	3	4	5	6
No.	Revision		Date	Name	
△					
△					

NOTES.
 Impedance: 50Ω
 Frequency range : DC~12.4 GHz
 VSWR: 1.15+0.010 x F(GHz) Max
 Insertion loss: 0.06 √F(GHz) dB Max
 RF leakage: -(60 -F(GHz)) dB Max
 Voltage rating: 335 Veff Max
 Dielectric withstanding voltage: 1000 Veff Min
 Insulation resistance: 5000 MΩ Min

RoHS Compliant



Connector parts	Materials	Finish
Coupling Cap	Stainless steel	Passivated
Body	Stainless steel	Passivated
Center contact	Brass	Gold Plated
Ferrule	Brass	Nickel Plated
Insulator	PTFE	-

SMA-Stright-PLUG CRIMP
 for Cable:RG400,142,223

NO.	DESCRIPTION	Q'TY	MATERIAL	FINISH	REMARKS.
PARTS No.	SMA-112-031	NAME	SMA-ST PLUG400		APPROVED S.J.LEE
MATERIAL	FINISH	TOLERANCES OTHERWISE SPEC. ±0.05		ANGLES ±1°	CHECKED
SCALE N/S		UNIT mm			DESIGNED S.J.PARK
DWG NO.		SMA-112-031		DATE. 26/DEC/2014	

CUSTOMER

