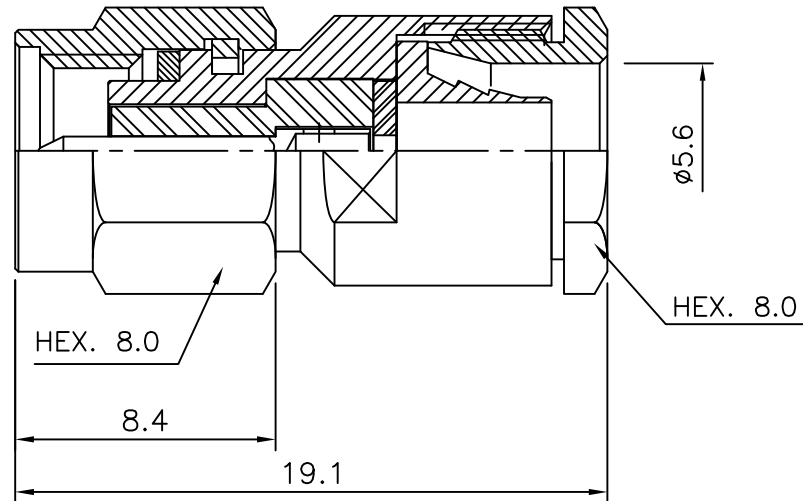


1	2	3	4	5	6
SPECIFICATIONS			No.	Revision	Date
Impedance ; 50ohm			△	PN Change from 1S-1212SG-3917	18/MAR/2014
Frequency ; DC~6GHz			△		
Voltage rating ; 375 VRMS					
VSWR ; max 1.20:1 UP TO 6GHz					
Temperature range : -55°C to +155°C					
2002/95/EC (RoHS) : Compliant					

RoHS Compliant



SMA-Straight-PLUG CLAMP
for Cable-RG142,400,223,55

Connector parts	Materials	Finish
Coupling Cap	Stainless steel	Gold Plated
Body,Coupling Nut	Stainless steel	Gold Plated
Center contact	Brass	Gold Plated
Insulator	PTFE	-
Gasket	Silicone rubber	-
Cable ferrule	Brass	Gold Plated

NO.	DESCRIPTION	Q'TY	MATERIAL	FINISH	REMARKS.
PARTS No.	SMA-112-032		NAME SMA-SP-RG142 CLAMP		APPROVED
MATERIAL	FINISH	TOLERANCES OTHERWISE SPEC. ±0.05		ANGLES ±1°	CHECKED
SCALE N/S		UNIT mm			DESIGNED S.J.LEE
DWG NO. SMA-112-032		DATE. 17/DEC/2010			

CUSTOMER



DONGJIN TI.