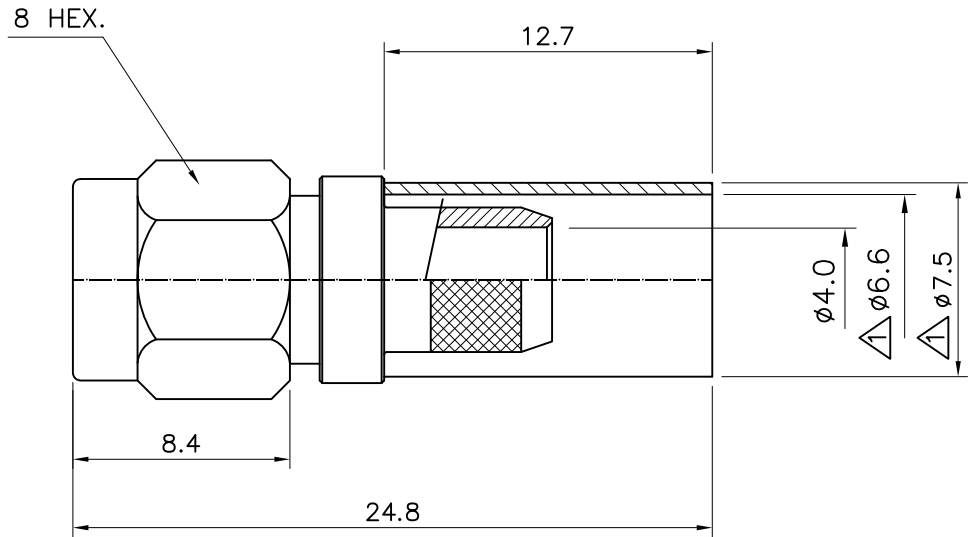


| No. | Revision | Date | Name |
|-----|---|------------|---------|
| △ | PN Change from 1S-112-240 | 21/08/2013 | B.G.YUN |
| △ | Ferrule size correction | 21/08/2013 | B.G.YUN |
| △ | Ferrule finish change from Nickel to Gold | 21/08/2013 | B.G.YUN |

RoHS Compliant



SMA-Straight-PLUG/Crimp
for Cable: LMR240, RG-8

| Connector parts | Materials | Finish |
|-----------------|-----------|-------------|
| Coupling Cap | Brass | Gold Plated |
| Body | Brass | Gold Plated |
| Center contact | Brass | Gold Plated |
| Ferrule | Brass | Gold Plated |
| Insulator | PTFE | - |

CUSTOMER

| NO. | DESCRIPTION | Q'TY | MATERIAL | FINISH | REMARKS. |
|-----------|-------------|-------------------------------------|----------|----------------------|---------------------|
| PARTS No. | SMA-113-002 | | NAME | SMA-SP-LMR240 | APPROVED |
| MATERIAL | FINISH | TOLERANCES OTHERWISE SPEC. ±0.05 | | ANGLES ±1° | CHECKED |
| SCALE | | UNIT | mm | | DESIGNED S.J.LEE |
| DWG NO. | | SMA-113-002 | | DATE. 28/JUN/2006 | |

 DONGJIN TI.