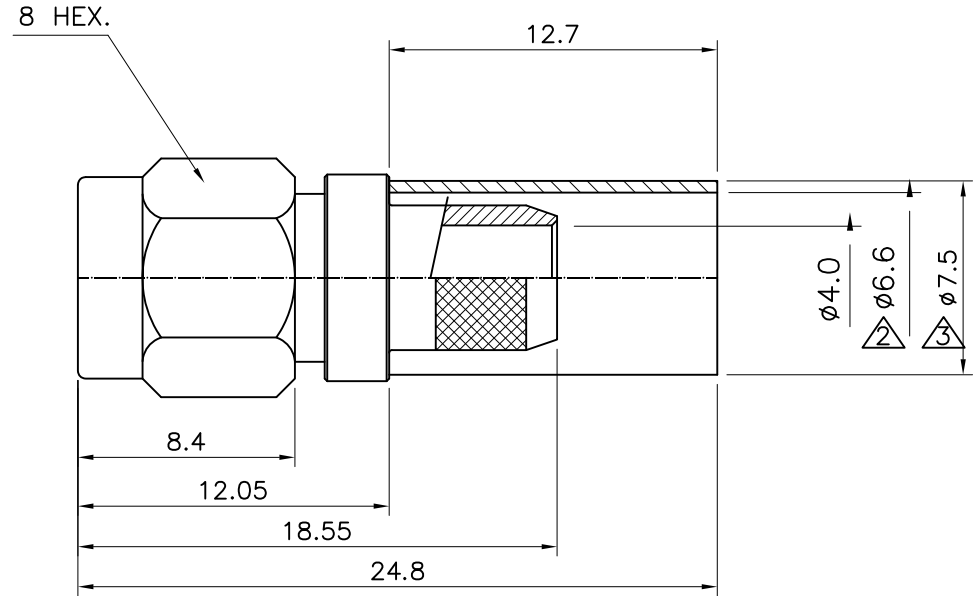


No.	Revision	Date	Name
①	PN. Change from 1S-112S-240	28/JUN/2013	S.J.PARK
②	Ferrule dia. correction from ID 6.8 to 6.6	28/JUN/2013	S.J.PARK
③	Ferrule dia. correction from OD 7.9 to 7.5	28/JUN/2013	S.J.PARK
④	PN. Change from SMA-112-018	22/AUG/2013	B.G.YUN

RoHS Compliant



SMA-Straight-PLUG/Crimp  
for Cable:LMR240

Connector parts	Materials	Finish
Coupling Cap	Stainless steel	Passivated
Body	Stainless steel	Passivated
Center contact	Brass	Gold Plated
Ferrule	Brass	Nickel Plated
Insulator	PTFE	-

**CUSTOMER**

NO.	DESCRIPTION	Q'TY	MATERIAL	FINISH	REMARKS.
PARTS No.	SMA-113-003		NAME	SMA-SP-LMR240	APPROVED
MATERIAL	FINISH	TOLERANCES OTHERWISE SPEC. $\pm 0.05$		ANGLES $\pm 1^\circ$	CHECKED
SCALE		UNIT	mm		DESIGNED S.J.LEE
DWG NO.		SMA-113-003		DATE. 28/JUN/2006	

