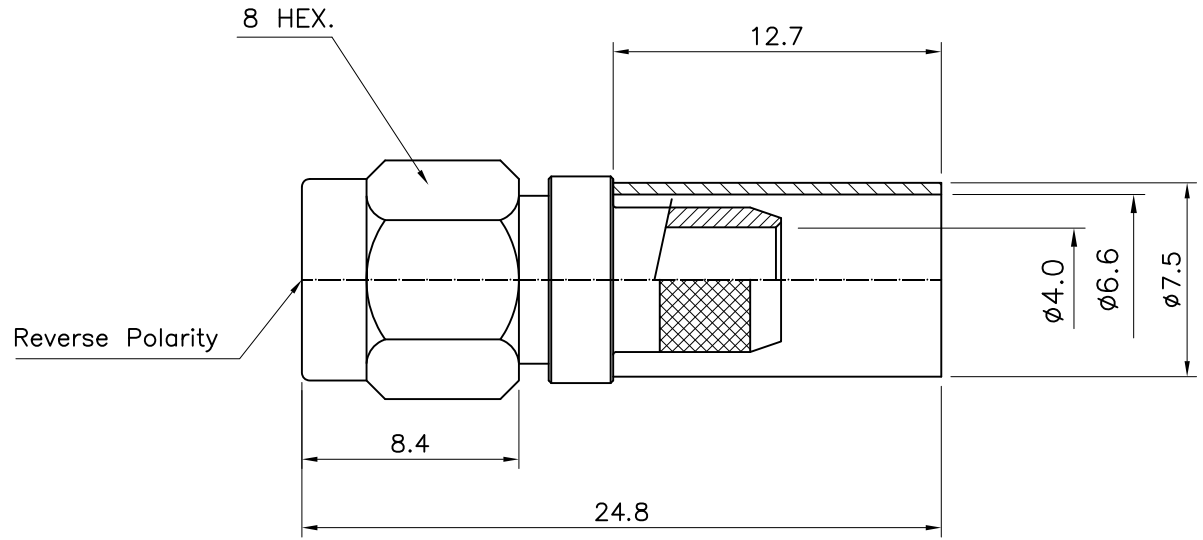


No.	Revision	Date	Name
△	PN Change from 1S-112RP-240	21/08/2013	B.G.YUN
△			

RoHS Compliant



SMA-Straight-PLUG/Crimp
for Cable:LMR240,RG-8
(Reverse Polarity)

Connector parts	Materials	Finish
Coupling Cap	Brass	Gold Plated
Body	Brass	Gold Plated
Center contact	Be-Cu	Gold Plated
Ferrule	Brass	Gold Plated
Insulator	PTFE	-

CUSTOMER

NO.	DESCRIPTION	Q'TY	MATERIAL	FINISH	REMARKS.
PARTS No.	SMA-113-004		NAME	SMA-SP-LMR240(R.P)	APPROVED
MATERIAL	FINISH	TOLERANCES OTHERWISE SPEC. ±0.05		ANGLES ±1°	CHECKED
SCALE		UNIT	mm		DESIGNED S.J.LEE
DWG NO.		SMA-113-004		DATE. 28/JUN/2006	

