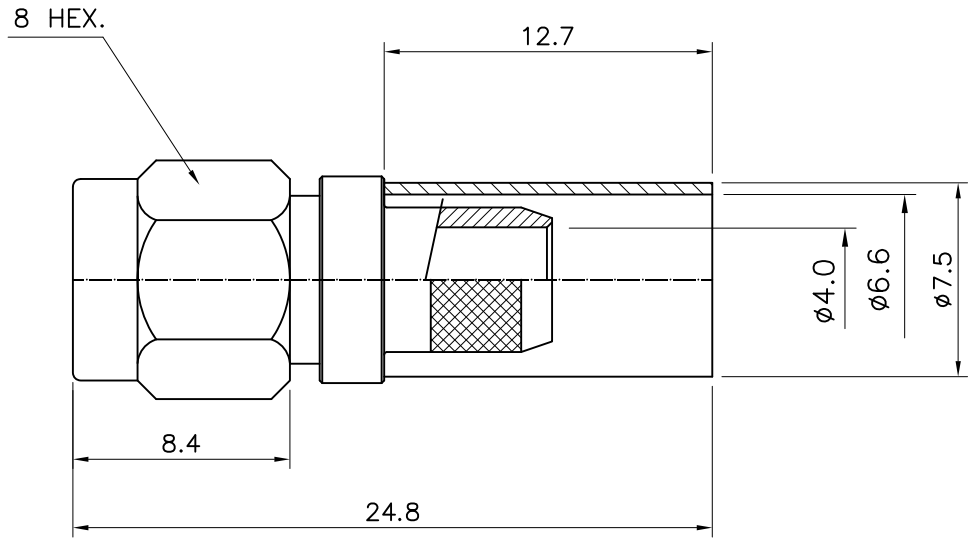


1                      2                      3                      4                      5                      6

No.	Revision	Date	Name
△			
△			

RoHS Compliant



SMA—Straight—PLUG/Crimp  
for Cable:LMR240, RG-8

Connector parts	Materials	Finish
Coupling Cap	Stainless steel	Passivated
Body	Brass	Gold Plated
Center contact	Brass	Gold Plated
Ferrule	Brass	Nickel Plated
Insulator	PTFE	-

**CUSTOMER**

NO.	DESCRIPTION	Q'TY	MATERIAL	FINISH	REMARKS.
PARTS No.	SMA-113-005		NAME	SMA-SP-LMR240	APPROVED
MATERIAL	FINISH	TOLERANCES OTHERWISE SPEC. ±0.05		ANGLES ±1°	CHECKED
		SCALE	UNIT mm		DESIGNED S.J.LEE
DONGJIN TI.		DWG NO.		SMA-113-005	DATE. 22/AUG/2013