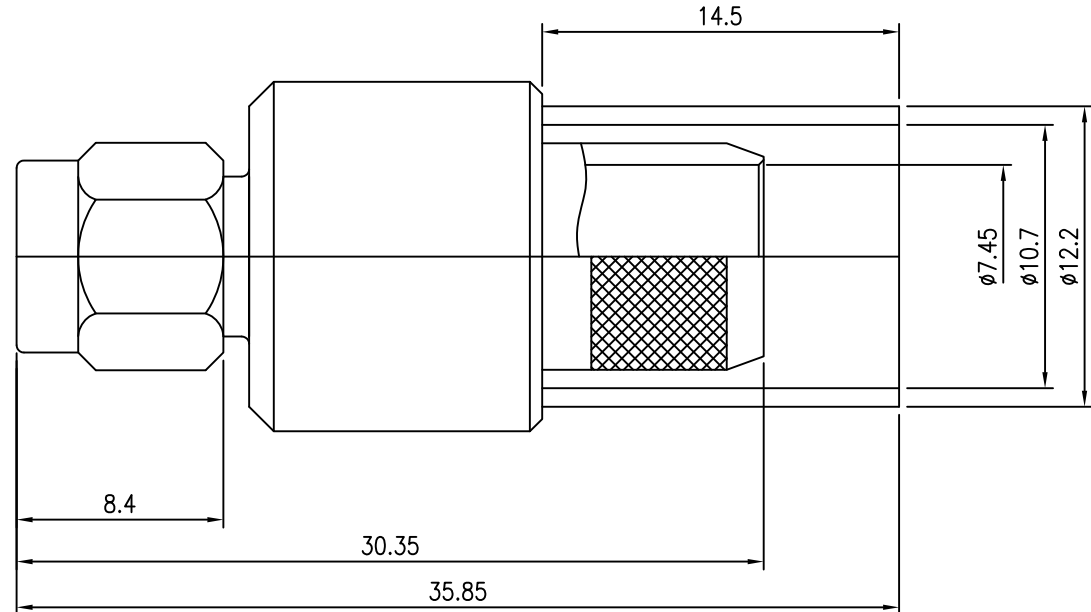


1	2	3	4	5	6
No.	Revision		Date	Name	
△	PN Change from 1S-114-400		10/FEB/2014	S.J.PARK	
△					



Connector parts	Materials	Finish
Coupling Cap	Brass	Gold Plated
Body	Brass	Gold Plated
Center contact	Brass	Gold Plated
Insulator	TEFLON	-

SMA STRAIGHT PLUG  
For CABLE LMR400

NO.	DESCRIPTION	Q'TY	MATERIAL	FINISH	REMARKS.
PARTS No.	SMA-114-001	NAME	SMA-SP-LMR400		APPROVED
MATERIAL	FINISH	TOLERANCES	OTHERWISE SPEC. ±0.05		ANGLES ±1°
SCALE	UNIT	mm			DESIGNED S.J.LEE
DWG NO.	SMA-114-001		DATE.		2001.07/31

CUSTOMER

