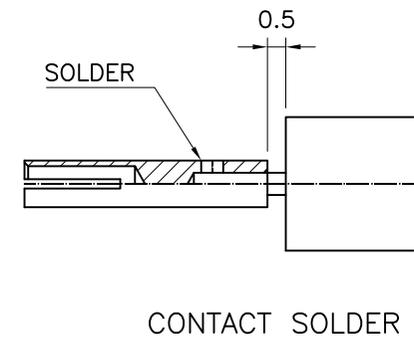
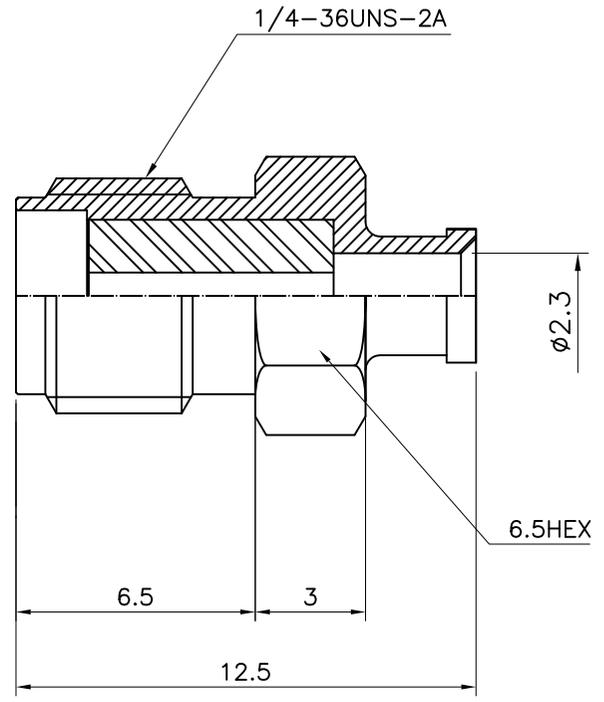


4	No.	Revision	5	Date	6
	△	PN Change from 1S-201-00		24/06/2013	B.G.YUN
	△				

RoHS Compliant



SMA-Straight-JACK  
for Cable-UT085

Connector parts	Materials	Finish
Body	Brass	Gold Plated
Center contact	Beryllium copper	Gold Plated
Insulator	PTFE	-

**CUSTOMER**

NO.	DESCRIPTION	Q'TY	MATERIAL	FINISH	REMARKS.
PARTS No.	SMA-201-001		NAME	SMA-SJ-085	APPROVED
MATERIAL	FINISH	TOLERANCES OTHERWISE SPEC. $\pm 0.05$		ANGLES $\pm 1^\circ$	CHECKED
		SCALE	UNIT mm		DESIGNED S.J.LEE
		DWG NO.	SMA-201-001		DATE. 07/MAY/2006