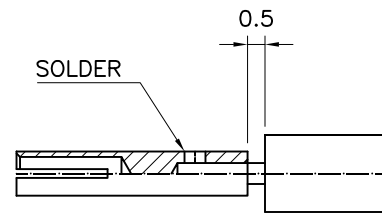
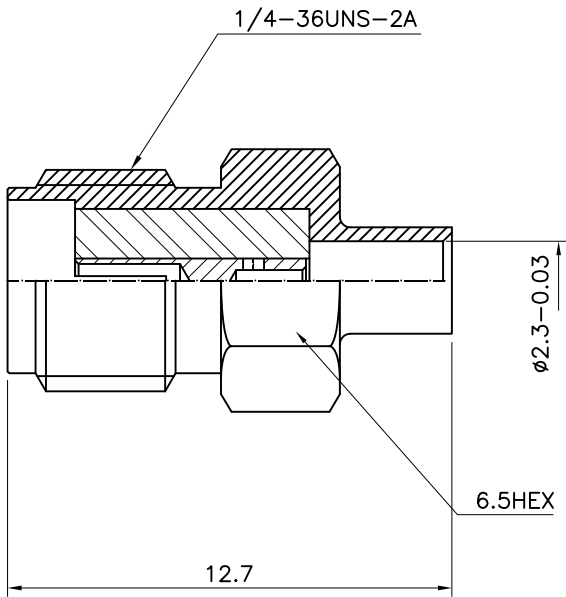


No.	Revision	Date	Name
1	PN Change from 1S-201SG-00	24/06/2013	B.G.YUN
2			

RoHS Compliant



CONTACT SOLDER

SMA-Straight-JACK  
for Cable-UT085

Connector parts	Materials	Finish
Body	Stainless steel	Gold Plated
Center contact	Beryllium copper	Gold Plated
Insulator	PTFE	-

CUSTOMER

NO.	DESCRIPTION	Q'TY	MATERIAL	FINISH	REMARKS.
PARTS No.	SMA-201-004		NAME	SMA-SJ085	APPROVED
MATERIAL	FINISH	TOLERANCES OTHERWISE SPEC. ±0.05		ANGLES ±1°	CHECKED
SCALE		UNIT	mm		DESIGNED S.J.LEE
DONGJIN TI.		DWG NO.			SMA-201-004