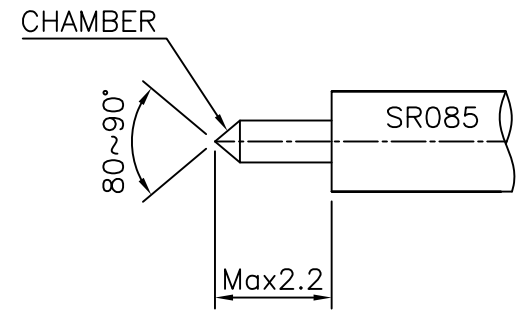
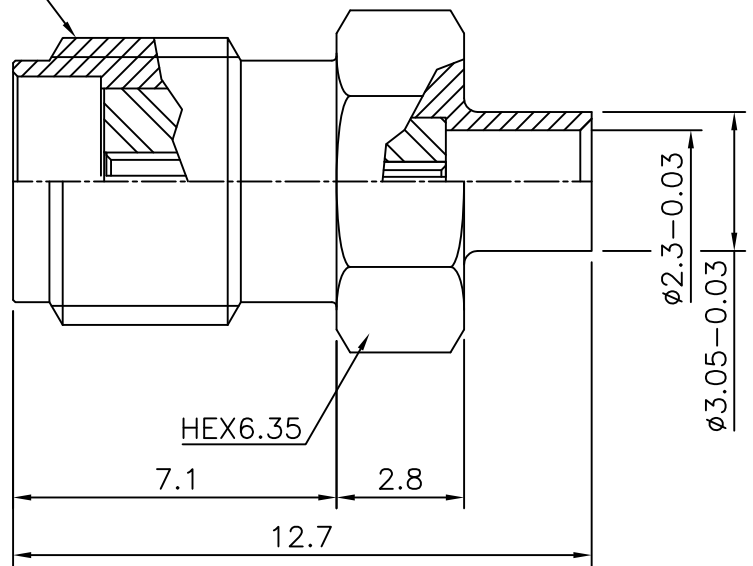


1                      2                      3                      4                      5                      6

No.	Revision	Date	Name
△			
△			

RoHS Compliant

1/4-36UNS-2A



CABLE STRIP REF.

SMA-Straight-JACK  
for Cable-UT085

Connector parts	Materials	Finish
Body	Brass	Nickel Plated
Center contact	Beryllium copper	Gold Plated
Insulator	PTFE	-

**CUSTOMER**

NO.	DESCRIPTION	Q'TY	MATERIAL	FINISH	REMARKS.
PARTS No.	SMA-201-006	NAME	SMA-ST JACK085		APPROVED S.J.LEE
MATERIAL	FINISH	TOLERANCES OTHERWISE SPEC. ±0.05		ANGLES ±1°	CHECKED
		SCALE	UNIT mm		DESIGNED S.J.PARK
		DWG NO.	SMA-201-006		DATE. 18/FEB/2014

D  
C  
B  
A