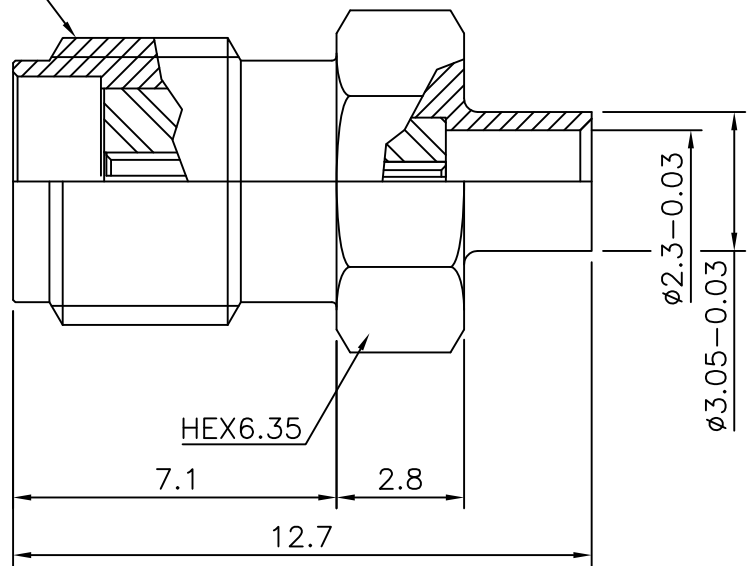


1 2 3 4 5 6

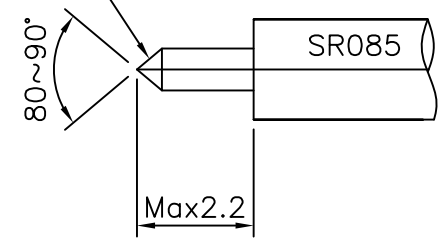
No.	Revision	Date	Name
△			
△			

RoHS Compliant

1/4-36UNS-2A



CHAMBER



CABLE STRIP REF.

SMA-Straight-JACK
for Cable-UT085

Connector parts	Materials	Finish
Body	Stainless steel	Gold Plated
Center contact	Beryllium copper	Gold Plated
Insulator	PTFE	-

CUSTOMER

NO.	DESCRIPTION	Q'TY	MATERIAL	FINISH	REMARKS.
PARTS No.	SMA-201-007	NAME	SMA-ST JACK085		APPROVED S.J.LEE
MATERIAL	FINISH	TOLERANCES OTHERWISE SPEC. ± 0.05		ANGLES $\pm 1^\circ$	CHECKED
		SCALE	UNIT mm		DESIGNED S.J.PARK
		DWG NO.	SMA-201-007		DATE. 18/FEB/2014

DONGJIN TI.