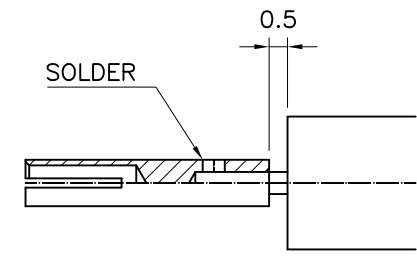
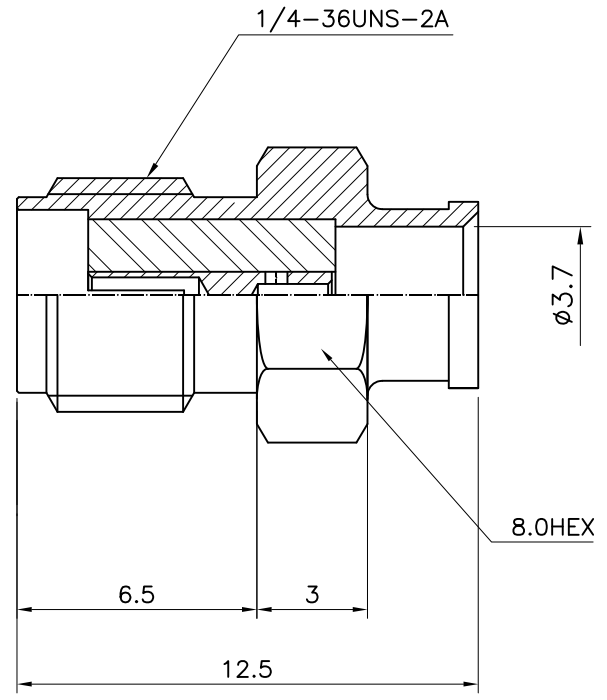


4	5	6
No.	Revision	Date
△	PN Change from 1S-202-00	08/08/2013
△		

RoHS Compliant



CONTACT SOLDER

SMA-Straight-JACK
for Cable-UT141

Connector parts	Materials	Finish
Body	Brass	Gold Plated
Center contact	Beryllium copper	Gold Plated
Insulator	PTFE	-

CUSTOMER

NO.	DESCRIPTION	Q'TY	MATERIAL	FINISH	REMARKS.
PARTS No.	SMA-202-001	NAME	SMA-SJ-141		APPROVED
MATERIAL	FINISH	TOLERANCES OTHERWISE SPEC. ±0.05		ANGLES ±1°	CHECKED
SCALE		UNIT	mm		DESIGNED S.J.LEE
		DWG NO.	SMA-202-001		DATE. 07/MAY/2006