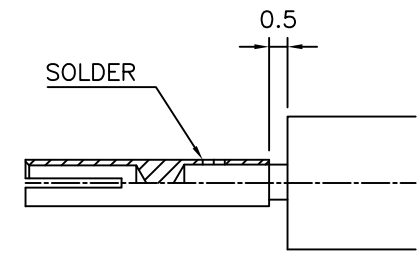
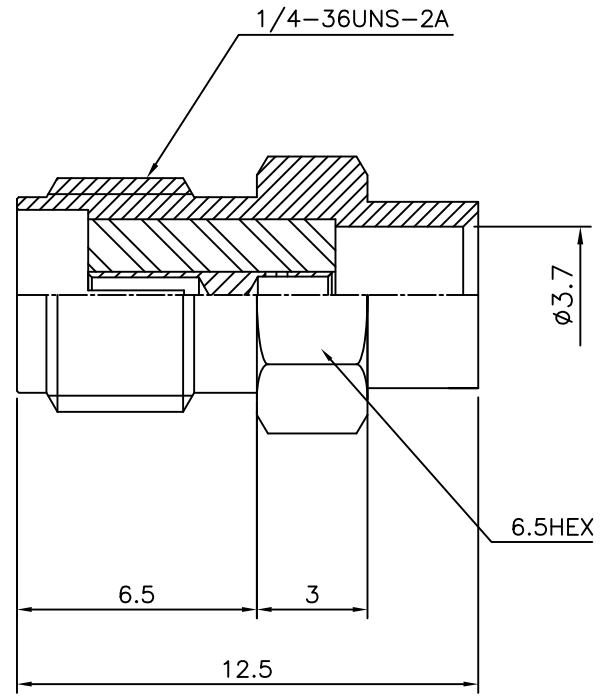


4	5	6
No.	Revision	Date
△	PN Change from 1S-202S-00	26/11/2013
△		
Name		
B.G.YUN		

RoHS Compliant



CONTACT SOLDER

SMA-Straight-JACK  
for Cable-UT141

Connector parts	Materials	Finish
Body	Stainless steel	Gold Plated
Center contact	Beryllium copper	Gold Plated
Insulator	PTFE	-

NO.	DESCRIPTION	Q'TY	MATERIAL	FINISH	REMARKS.
PARTS No.	SMA-202-003		NAME	SMA-SJ-141	APPROVED
MATERIAL	FINISH	TOLERANCES OTHERWISE SPEC. ±0.05		ANGLES ±1°	CHECKED
SCALE		UNIT	mm		DESIGNED S.J.LEE
DWG NO.		SMA-202-003		DATE. 07/MAY/2006	

CUSTOMER

