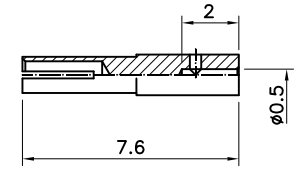
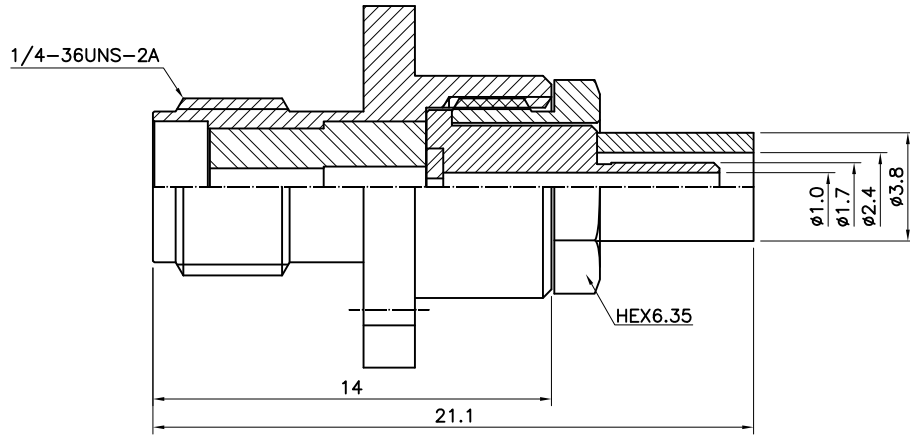
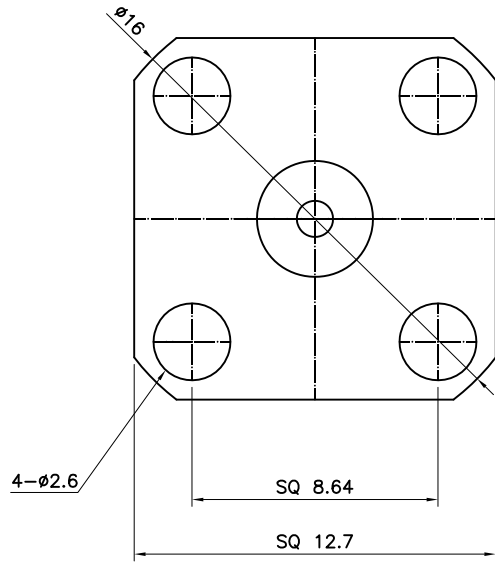


4	5	6
No.	Revision	Date
△		
△		

RoHS Compliant



SMA-Stright 4H Panel Jack
CRIMP for Cable:RG178

Connector parts	Materials	Finish
Body,Barrel,Nut	Stainless steel	Gold Plated
Center contact	Beryllium copper	Gold Plated
Ferrule	Brass	Gold Plated
Insulator	PTFE	-

NO.	DESCRIPTION	Q'TY	MATERIAL	FINISH	REMARKS.
PARTS No.	SMA-210-003	NAME	SMA-SJ RG178		APPROVED S.J.LEE
MATERIAL	FINISH	TOLERANCES OTHERWISE SPEC. ±0.05	ANGLES ±1°		CHECKED
SCALE	N/S	UNIT	mm		DESIGNED S.J.PARK
DWG NO.	SMA-210-003				DATE. 24/JUL/2013

CUSTOMER

