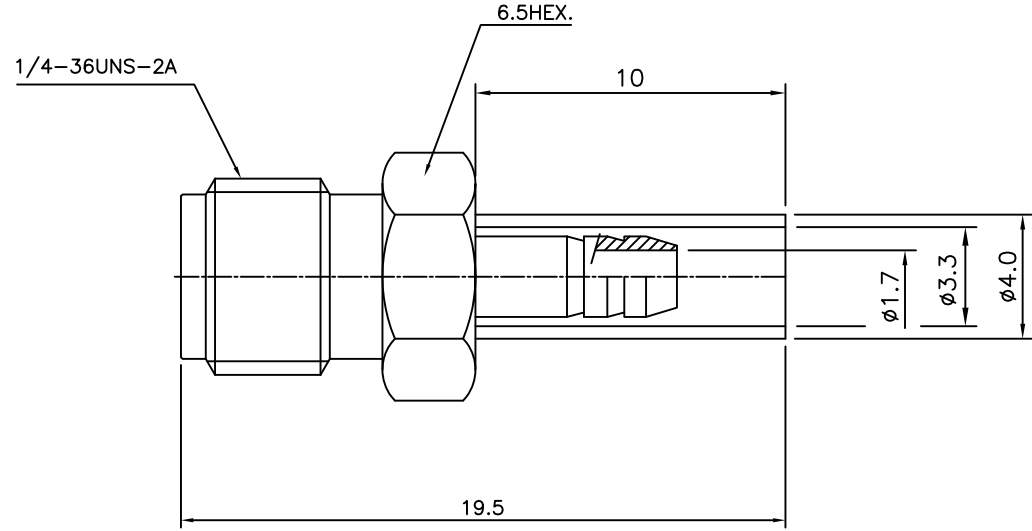


4	5	6	
No.	Revision	Date	Name
△	PN Change from 1S-211-01	06/11/2013	B.G.YUN
△			

RoHS Compliant



SMA-Straight-JACK
for Cable:RG-316D/S/LMR100

Connector parts	Materials	Finish
Body	Brass	Gold Plated
Center contact	Be-Cu	Gold Plated
Ferrule	Brass	Gold Plated
Insulator	PTFE	-

CUSTOMER

NO.	DESCRIPTION	Q'TY	MATERIAL	FINISH	REMARKS.
PARTS No.	SMA-211-005		NAME	SMA-SJ-316D	APPROVED
MATERIAL	FINISH	TOLERANCES OTHERWISE SPEC. ±0.05		ANGLES ±1°	CHECKED
SCALE N/S		UNIT mm			DESIGNED S.J.LEE
DWG NO.		SMA-211-005		DATE. 2001.05/04	

