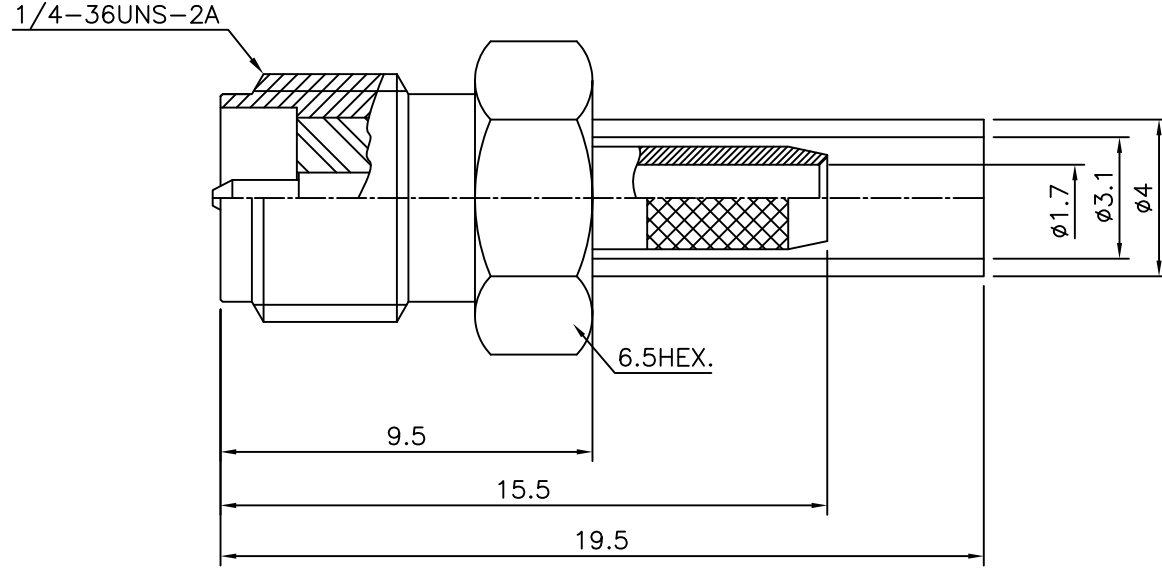


4	5	6
No.	Revision	Date
△	PN Change from 1S-211RP-00	11/FEB/2014
△		
Name		Name
		S.J.PARK

RoHS Compliant



SMA-Straight-JACK  
Reverse Polarity  
for Cable:RG-316,174

Connector parts	Materials	Finish
Body	Brass	Gold Plated
Center contact	Brass	Gold Plated
Ferrule	Brass	Gold Plated
Insulator	PTFE	-

**CUSTOMER**

NO.	DESCRIPTION	Q'TY	MATERIAL	FINISH	REMARKS.
PARTS No.	SMA-211-007	NAME		SMA-SJ-316RP	APPROVED
MATERIAL	FINISH	TOLERANCES		OTHERWISE SPEC. ±0.05	ANGLES ±1°
SCALE	N/S	UNIT	mm	DESIGNED	S.J.LEE
DWG NO.	SMA-211-007		DATE.		2001.05/04

