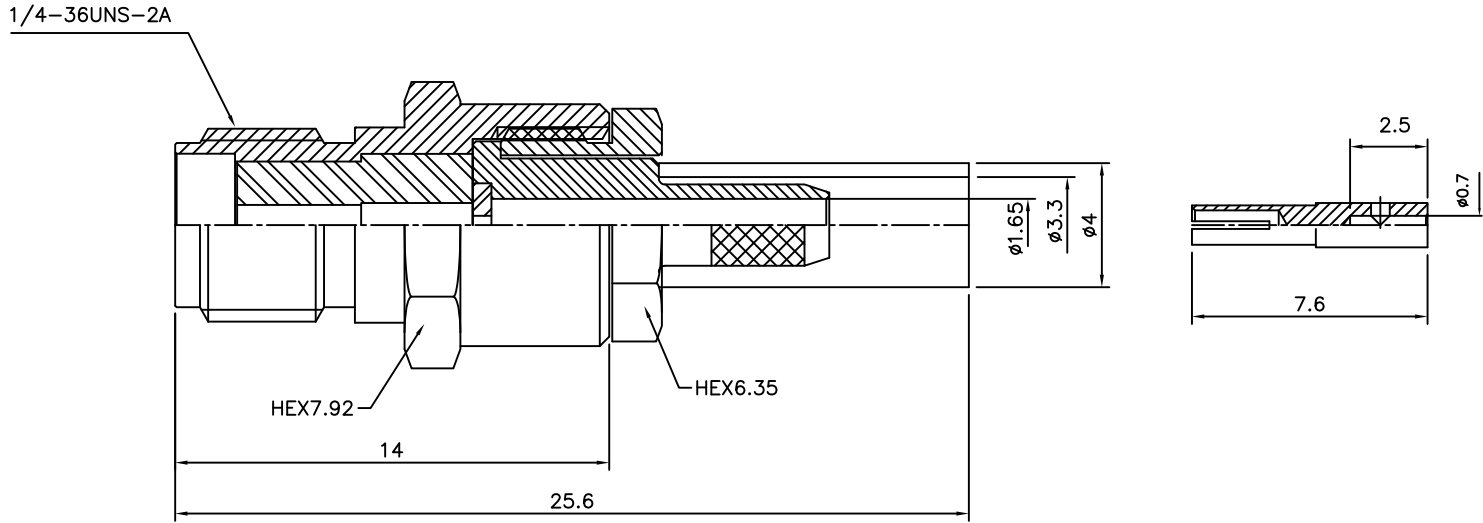


4	No.	Revision	5	Date	6	Name
	△					
	△					

RoHS Compliant



SMA-female crimp jack
for RG316DS/RG174DS
-CAPTIVATED CONTACT

Connector parts	Materials	Finish
Body,Barrel,Nut	Stainless steel	Gold Plated
Center contact	Beryllium copper	Gold Plated
Ferrule	Brass	Gold Plated
Insulator	PTFE	-

CUSTOMER

NO.	DESCRIPTION	Q'TY	MATERIAL	FINISH	REMARKS.
PARTS No.	SMA-211-008	NAME	SMA-SJ-316D		APPROVED
MATERIAL	FINISH	TOLERANCES OTHERWISE SPEC. ±0.05		ANGLES ±1°	CHECKED
SCALE	N/S	UNIT	mm		DESIGNED S.J.LEE
DWG NO.	SMA-211-008			DATE.	13/NOV/2013



DONGJIN TI.