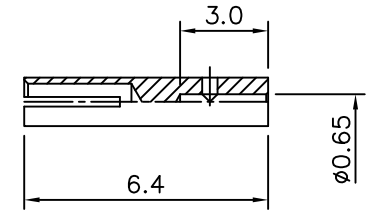
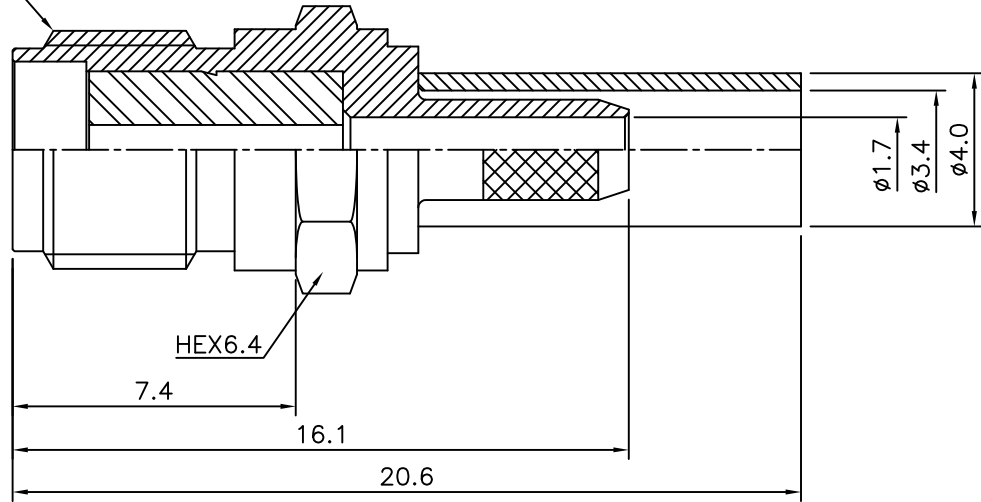


4	No.	Revision	Date	Name
	△	PN Change from 1S-211SG-019	13/FEB/2014	S.J.PARK
	△			

RoHS Compliant

1/4-36UNS-2A



Connector parts	Materials	Finish
Body	Stainless steel	Gold Plated
Center contact	Beryllium copper	Gold Plated
Ferrule	Brass	Gold Plated
Insulator	PTFE	-

SMA-Stright-JACK  
for Cable:RG316DS,174DS

**CUSTOMER**

NO.	DESCRIPTION	Q'TY	MATERIAL	FINISH	REMARKS.
PARTS No.	SMA-211-009		NAME	SMA-SJ-316D	APPROVED
MATERIAL	FINISH	TOLERANCES OTHERWISE SPEC. ±0.05		ANGLES ±1°	CHECKED
SCALE	N/S	UNIT	mm		DESIGNED S.J.LEE
DWG NO.	SMA-211-009			DATE.	13/JAN/2010



DONGJIN TI.