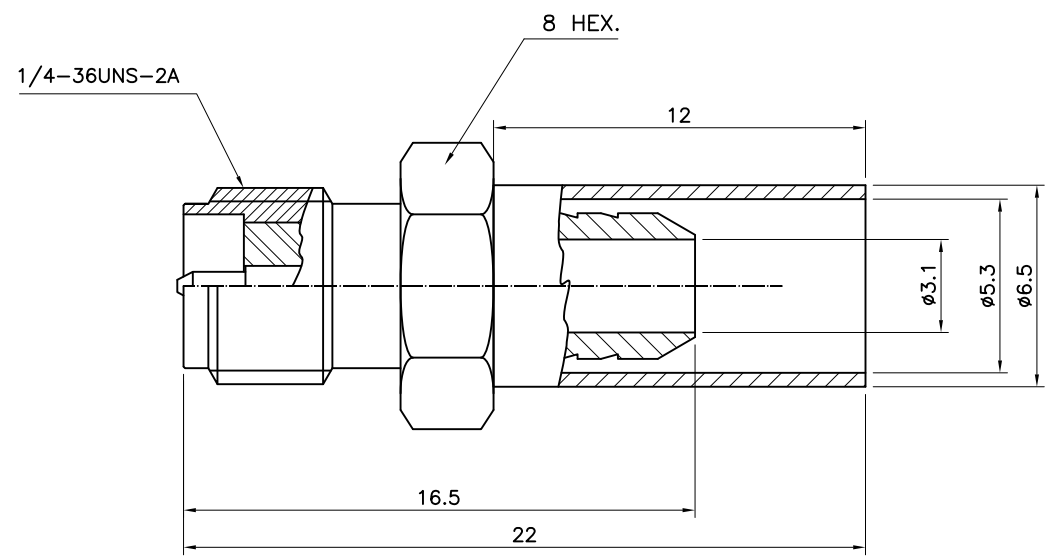


4	5	6	
No.	Revision	Date	Name
△	PN Change from 1S-212RP-58	22/08/2013	B.G.YUN
△			



RoHS Compliant

SMA-Stright-JACK
Reverse Polarity
for Cable:RG-58

Connector parts	Materials	Finish
Body	Brass	Gold Plated
Center contact	Brass	Gold Plated
Ferrule	Brass	Gold Plated
Insulator	PTFE	-

CUSTOMER

NO.	DESCRIPTION	Q'TY	MATERIAL	FINISH	REMARKS.
PARTS No.	SMA-212-008		NAME	SMA-SJ-58RP	APPROVED
MATERIAL	FINISH	TOLERANCES OTHERWISE SPEC. ±0.05		ANGLES ±1°	CHECKED
SCALE		UNIT	DESIGNED		S.J.LEE
N/S		mm	DRAWING SYMBOL		
DWG NO.		SMA-212-008			DATE.
DONGJIN TI.					25/MAR/2006