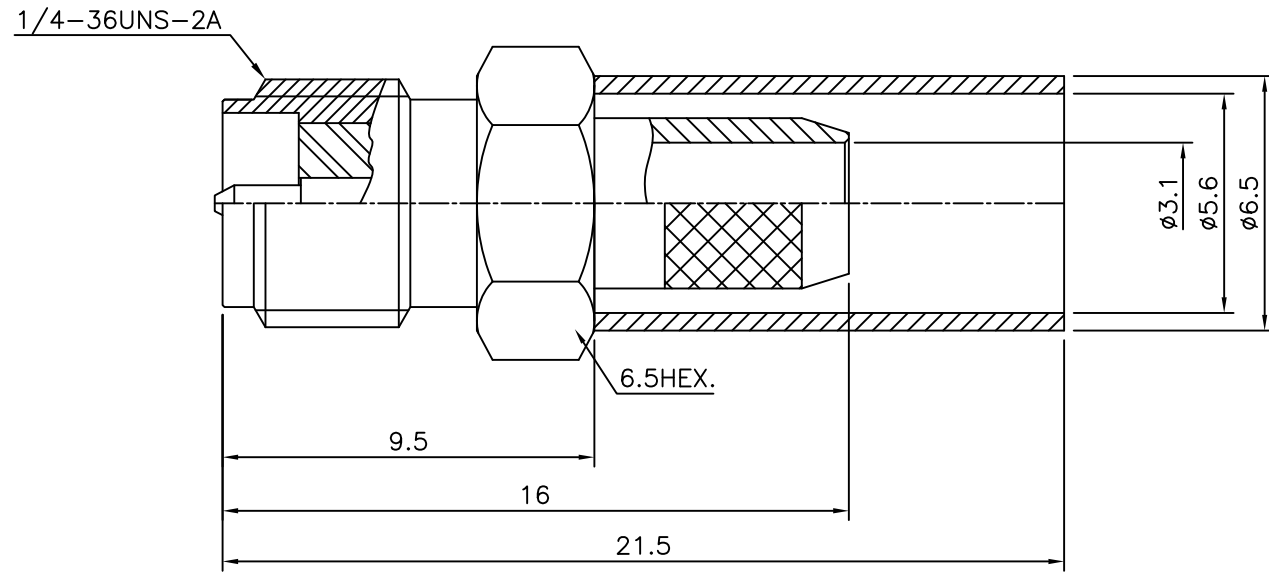


4	No.	Revision	Date	Name
	△	PN Change from 1S-212RP-00	11/FEB/2014	S.J.PARK
	△			

RoHS Compliant



SMA-Straight-JACK
Reverse Polarity
for Cable:RG-400,223

Connector parts	Materials	Finish
Body	Brass	Gold Plated
Center contact	Brass	Gold Plated
Ferrule	Brass	Gold Plated
Insulator	PTFE	-

CUSTOMER

NO.	DESCRIPTION	Q'TY	MATERIAL	FINISH	REMARKS.
PARTS No.	SMA-212-011	NAME	SMA-SJ-400RP		APPROVED
MATERIAL	FINISH	TOLERANCES OTHERWISE SPEC. ±0.05		ANGLES ±1°	CHECKED
SCALE N/S		UNIT mm			DESIGNED S.J.LEE
DWG NO.		SMA-212-011		DATE.	2001.05/04

