

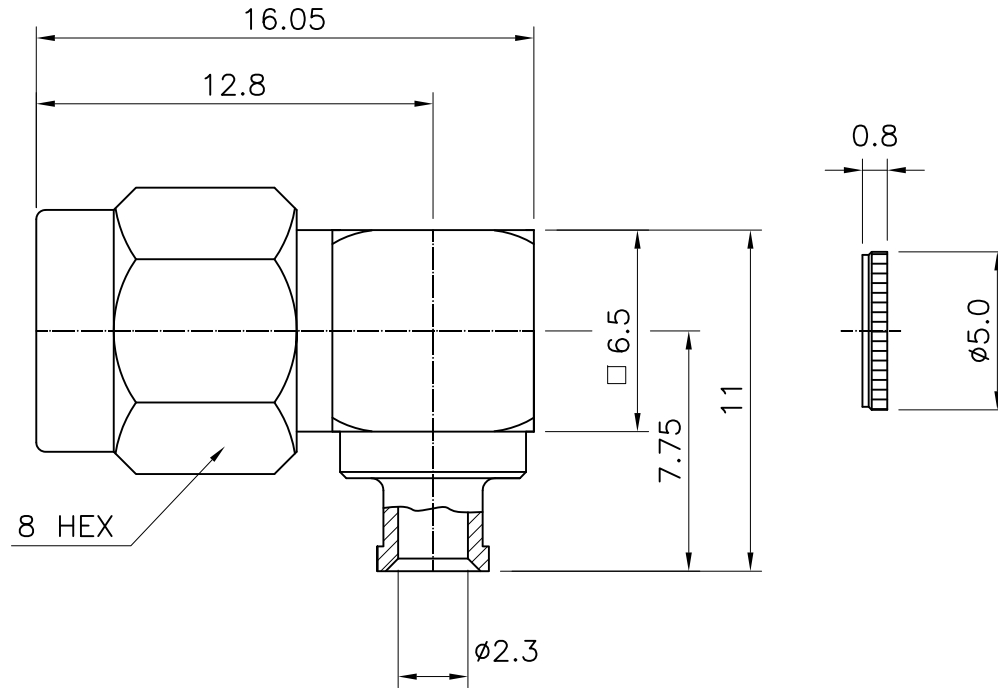
1                      2                      3                      4                      5                      6

No.	Revision	Date	Name
△	PN Change from 1S-301-00	21/06/2013	B.G.YUN
△			

**ELECTRICAL RATINGS**

Impedance : 50 ohm  
 Frequency Range : DC~12.4GHz  
 V.S.W.R : 1.10 +0.1x $\sqrt{F}$ (GHz)  
 Insertion loss : 0.05  $\sqrt{F}$ (GHz)  
 Working Voltage : 335 VRMS max  
 Dielectric Withstanding Voltage : 750V min  
 Insulation Resistance : 5000M $\Omega$  min  
 Temperature range : -55~+145°C

RoHS Compliant



SMA-Right Angle-PLUG  
for Cable-UT085

Connector parts	Materials	Finish
Coupling Cap	Brass	Gold Plated
Body	Brass	Gold Plated
Center contact	Brass	Gold Plated
Insulator	PTFE	-

**CUSTOMER**

NO.	DESCRIPTION	Q'TY	MATERIAL	FINISH	REMARKS.
PARTS No.	SMA-301-001		NAME	SMA-LP-085	APPROVED
MATERIAL	FINISH	TOLERANCES OTHERWISE SPEC. $\pm 0.05$		ANGLES $\pm 1^\circ$	CHECKED
SCALE N/S		UNIT mm			DESIGNED S.J.LEE
		DWG NO.		SMA-301-001	DATE. 14/MAR/2007