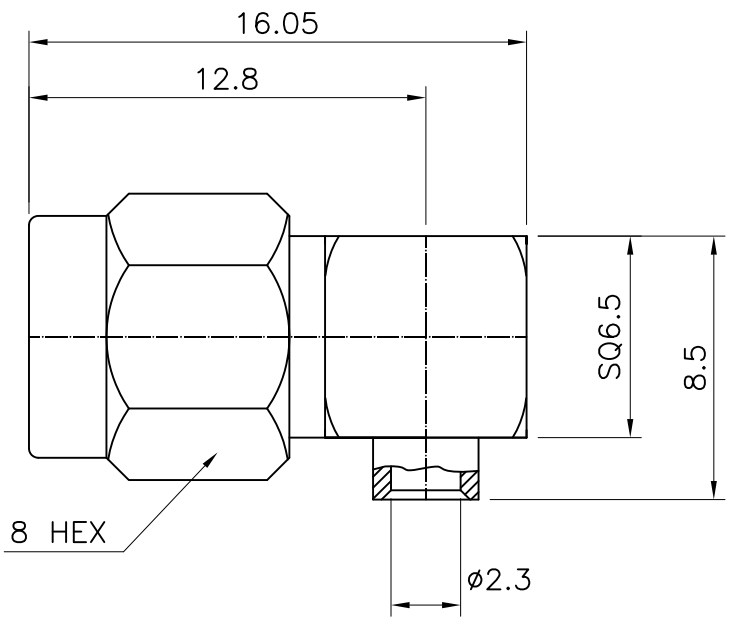


|   |     |                            |   |            |         |
|---|-----|----------------------------|---|------------|---------|
| 4 | No. | Revision                   | 5 | Date       | 6       |
|   | △   | PN Change from 1S-301SG-00 |   | 24/06/2013 | B.G.YUN |
|   | △   |                            |   |            |         |

RoHS Compliant



SMA-Right Angle-PLUG  
for Cable-UT085

| Connector parts | Materials       | Finish      |
|-----------------|-----------------|-------------|
| Coupling Cap    | Stainless steel | Gold Plated |
| Body,Cover      | Stainless steel | Gold Plated |
| Center contact  | Brass           | Gold Plated |
| Insulator       | PTFE            | -           |
| Gasket          | Silicone rubber | -           |

CUSTOMER

| NO.       | DESCRIPTION | Q'TY                                | MATERIAL | FINISH     | REMARKS.            |
|-----------|-------------|-------------------------------------|----------|------------|---------------------|
| PARTS No. | SMA-301-006 |                                     | NAME     | SMA-LP-085 | APPROVED            |
| MATERIAL  | FINISH      | TOLERANCES<br>OTHERWISE SPEC. ±0.05 |          | ANGLES ±1° | CHECKED             |
| SCALE     | N/S         | UNIT                                | mm       |            | DESIGNED<br>S.J.LEE |
| DWG NO.   | SMA-301-006 |                                     |          | DATE.      | 01/SEP/2009         |

