

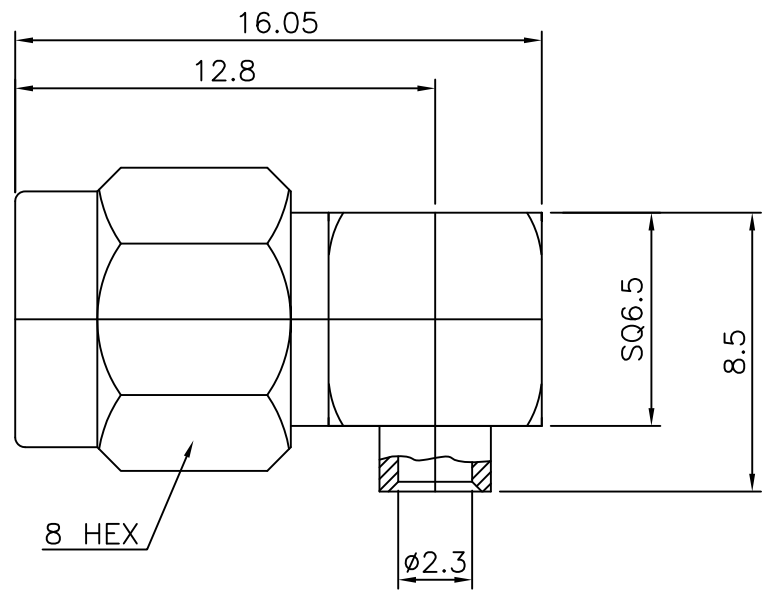
1 2 3 4 5 6

ELECTRICAL RATINGS

Impedance : 50 ohm
 Frequency Range : DC~12.4GHz
 V.S.W.R : 1.10 +0.1x \sqrt{f} (GHz)
 Insertion loss : 0.05 \sqrt{f} (GHz)
 Working Voltage : 335 VRMS max
 Dielectric Withstanding Voltage : 750V min
 Insulation Resistance : 5000M Ω min
 Temperature range : -55~+145°C

No.	Revision	Date	Name
△			
△			

RoHS Compliant



SMA-Right Angle-PLUG
for Cable-UT085

Connector parts	Materials	Finish
Coupling Cap	Stainless steel	Gold Plated
Body	Stainless steel	Gold Plated
Screw cap	Stainless steel	Gold Plated
Center contact	Brass	Gold Plated
Insulator	PTFE	-

CUSTOMER

NO.	DESCRIPTION	Q'TY	MATERIAL	FINISH	REMARKS.
PARTS No.	SMA-301-011	NAME	SMA-LP-085		APPROVED S.J.LEE
MATERIAL	FINISH	TOLERANCES OTHERWISE SPEC. ± 0.05		ANGLES $\pm 1^\circ$	CHECKED
SCALE	N/S	UNIT	mm		DESIGNED S.J.PARK
DWG NO.	SMA-301-011			DATE.	16/JAN/2014

