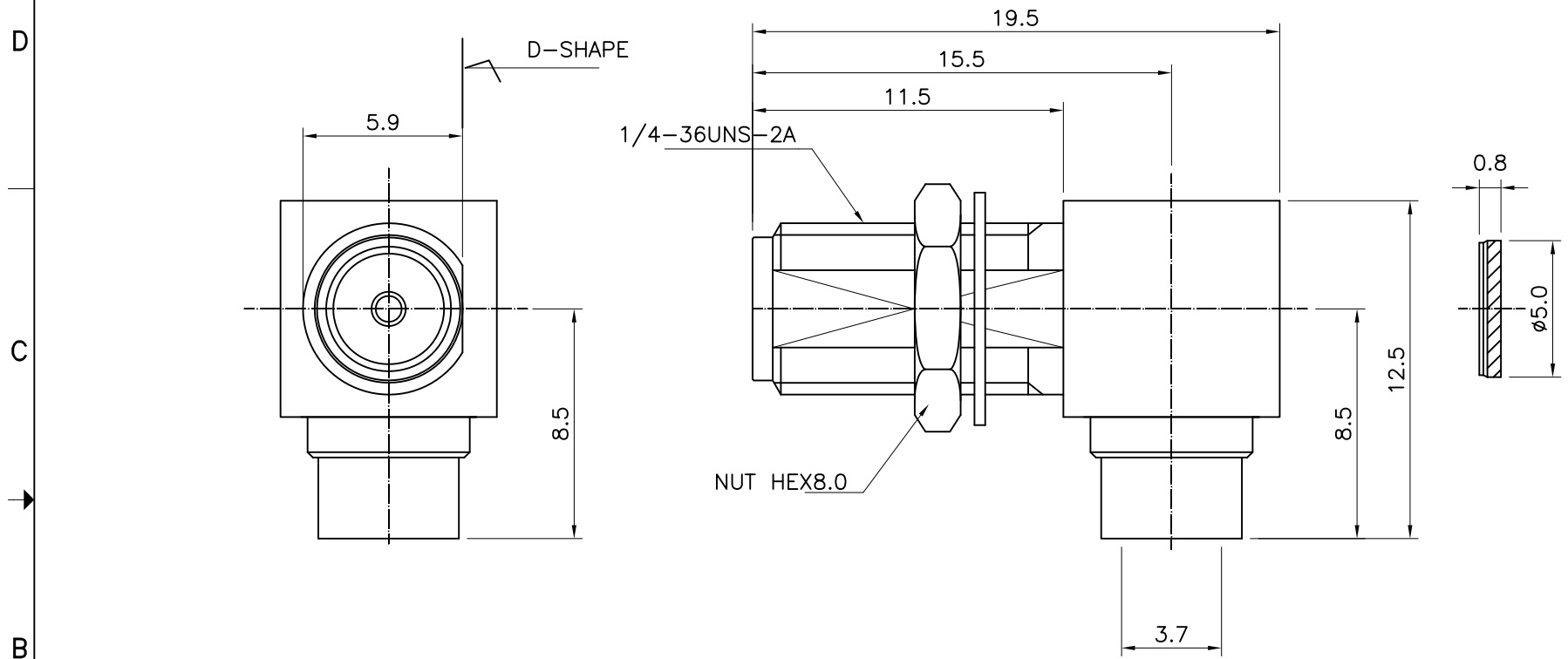


No.	Revision	Date	Name
△	PN Change from 1S-3402-141	28/06/2013	B.G.YUN
△			



SMA-Right Angle-Bulkhead JACK
for Cable-UT141

Connector parts	Materials	Finish
Body,Nut	Brass	Gold Plated
Center contact	Beryllium copper	Gold Plated
Cover	Brass	Gold Plated
Insulator	PTFE	-

CUSTOMER

NO.	DESCRIPTION	Q'TY	MATERIAL	FINISH	REMARKS.
PARTS No.	SMA-302-005		NAME	SMA-LBJ-141	APPROVED
MATERIAL	FINISH	TOLERANCES OTHERWISE SPEC. ±0.05		ANGLES ±1°	CHECKED
		SCALE	UNIT mm		DESIGNED S.J.LEE
		DWG NO.	SMA-302-005		DATE. 10/JUN/2008

