

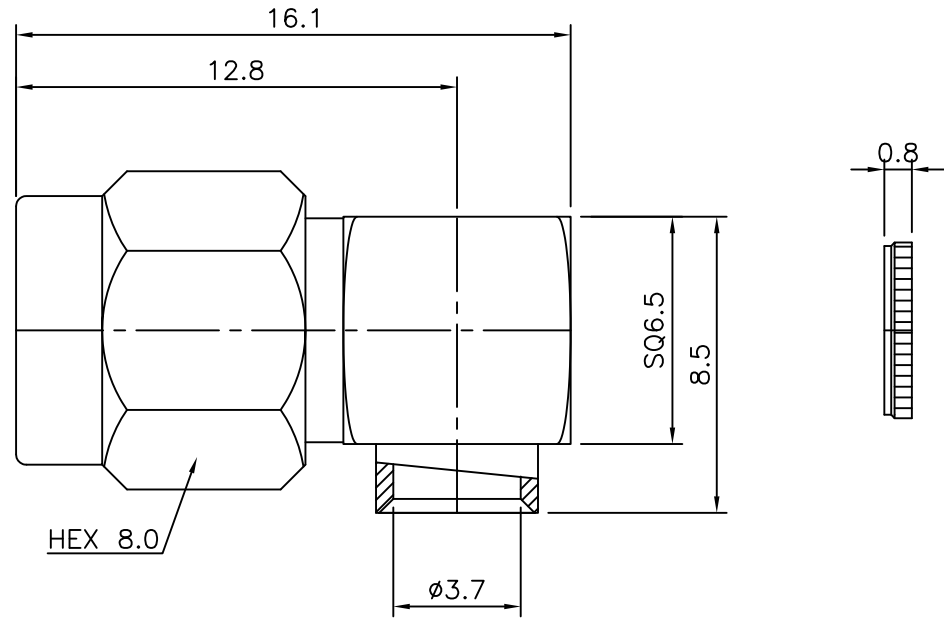
1 2 3 4 5 6

No.	Revision	Date	Name
△	PN Change from 1S-302SP-00	19/06/2013	B.G.YUN
△			

ELECTRICAL RATINGS

Impedance : 50 ohm
 Frequency Range : DC~12.4GHz
 V.S.W.R : 1.15 +0.01xF(GHz)
 Insertion loss : 0.05 √F(GHz)
 Working Voltage : 335 VRMS max
 Dielectric Withstanding Voltage : 750V min
 Insulation Resistance : 5000MΩ min
 Temperature range : -55~+145°C

RoHS Compliant



SMA-Right Angle-PLUG
for Cable-UT141

Connector parts	Materials	Finish
Coupling Cap	Stainless steel	Passivated
Body	Stainless steel	Gold Plated
Center contact	Brass	Gold Plated
Insulator	PTFE	-
Gasket	Silicone rubber	-

NO.	DESCRIPTION	Q'TY	MATERIAL	FINISH	REMARKS.
PARTS No.	SMA-302-006		NAME	SMA-LP-141	APPROVED
MATERIAL	FINISH	TOLERANCES OTHERWISE SPEC. ±0.05		ANGLES ±1°	CHECKED
SCALE		N/S	UNIT	mm	DESIGNED S.J.LEE
DWG NO.		SMA-302-006		DATE. 18/JUN/2006	

CUSTOMER

