

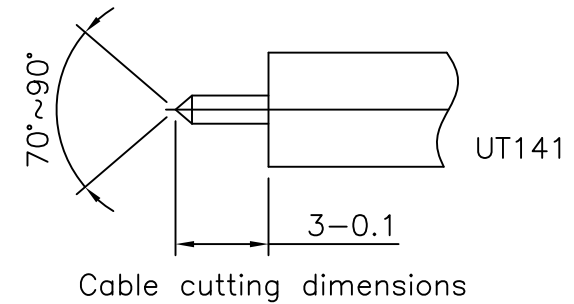
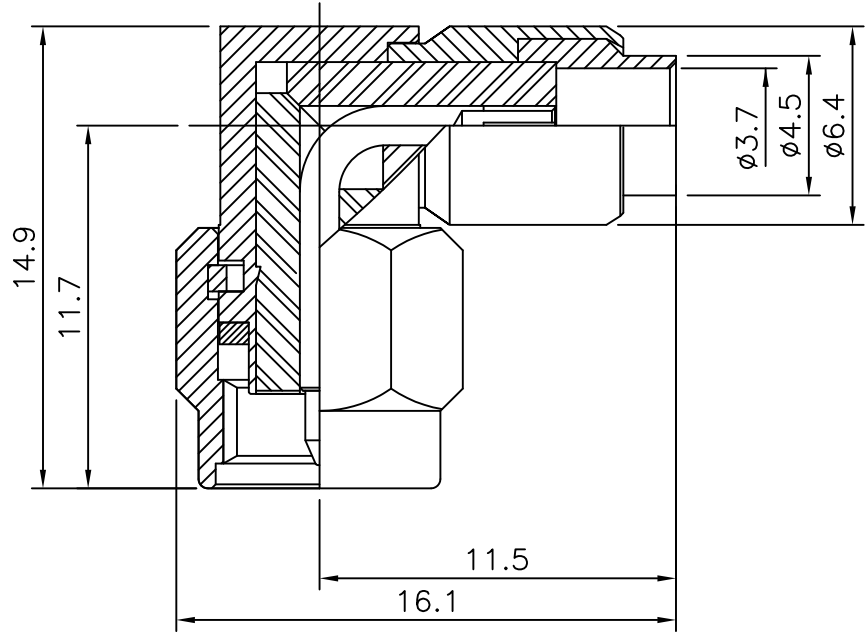
1 2 3 4 5 6

No.	Revision	Date	Name
△			
△			

SPECIFICATIONS

Impedance ; 50ohm
 Frequency range ; DC~9GHz
 V.S.W.R ; 1.2:1 MAX.
 OP. TEMP range : -55°C to +155°C

RoHS Compliant



Connector parts	Materials	Finish
Coupling Cap	Stainless steel	Passivated
Body	Brass	Gold Plated
Center contact	BeCu	Gold Plated
Insulator	PTFE	-

SMA-Right Angle-PLUG/ONE STEP
 for Cable-UT141

NO.	DESCRIPTION	Q'TY	MATERIAL	FINISH	REMARKS.
PARTS No. SMA-302-007		NAME SMA-R/A-ONE STEP		APPROVED K.Y.SON	
MATERIAL		FINISH		TOLERANCES OTHERWISE SPEC. ± 0.05 ANGLES $\pm 1^\circ$	
SCALE N/S		UNIT mm		DESIGNED S.J.PARK	
DWG NO. SMA-302-007		DATE. 02/JAN/2013			

CUSTOMER

