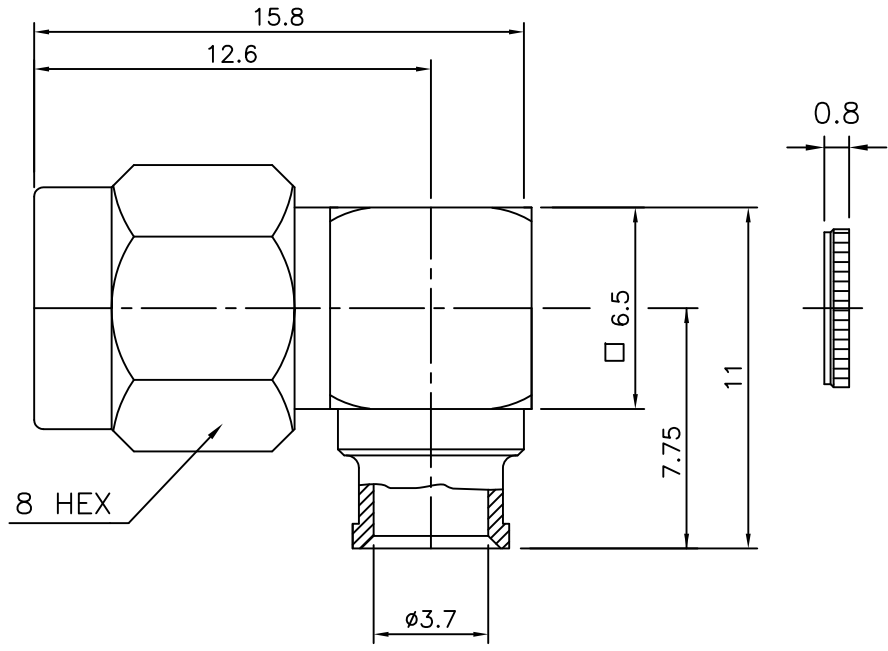


|   |     |                           |            |         |
|---|-----|---------------------------|------------|---------|
| 4 | No. | Revision                  | Date       | Name    |
|   | △   | PN Change from 1S-302-00W | 02/01/2014 | B.G.YUN |
|   | △   |                           |            |         |

**ELECTRICAL RATINGS**

Impedance : 50 ohm  
 Frequency Range : DC~12.4GHz  
 V.S.W.R : 1.10 +0.1x $\sqrt{F}$ (GHz)  
 Insertion loss : 0.05  $\sqrt{F}$ (GHz)  
 Working Voltage : 335 VRMS max  
 Dielectric Withstanding Voltage : 750V min  
 Insulation Resistance : 5000M $\Omega$  min  
 Temperature range : -55~+145°C

RoHS Compliant



SMA-Right Angle-PLUG  
for Cable-UT141

| Connector parts | Materials       | Finish      |
|-----------------|-----------------|-------------|
| Coupling Cap    | Brass           | SUCO Plated |
| Body,Cap        | Brass           | SUCO Plated |
| Center contact  | Brass           | Gold Plated |
| Insulator       | PTFE            | -           |
| Retainer Ring   | Stainless steel | Passivated  |
| Gasket          | Silicone rubber | -           |

**CUSTOMER**

| NO.       | DESCRIPTION | Q'TY       | MATERIAL  | FINISH | REMARKS.            |
|-----------|-------------|------------|---|--------|---------------------|
| PARTS No. | SMA-302-009 | NAME       | SMA-LP-141                                      |        | APPROVED            |
| MATERIAL  | FINISH      | TOLERANCES | OTHERWISE SPEC. $\pm 0.05$ ANGLES $\pm 1^\circ$ |        | CHECKED             |
| SCALE     | N/S         | UNIT       | mm  |        | DESIGNED<br>S.J.LEE |
| DWG NO.   | SMA-302-009 |            |   | DATE.  | 18/JUN/2006         |

