

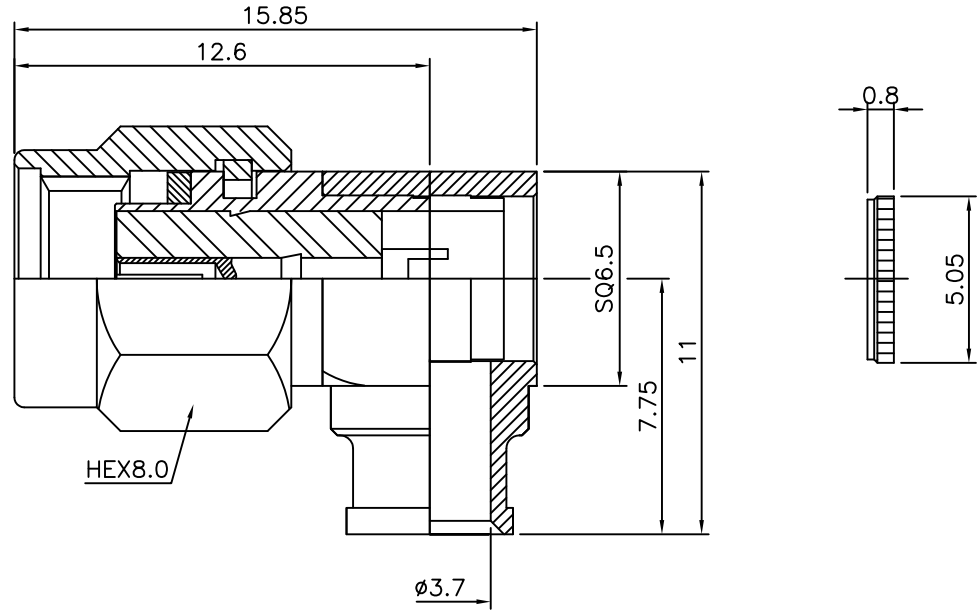
1 2 3 4 5 6

No.	Revision	Date	Name
▲	PN Change from 1S-302RP-00	18/11/2013	B.G.YUN
▲			

ELECTRICAL RATINGS

Impedance : 50 ohm
 Frequency Range : DC~12.4GHz
 V.S.W.R : 1.10 +0.1xF(GHz)
 Insertion loss : 0.05 √F(GHz)
 Working Voltage : 335 VRMS max
 Dielectric Withstanding Voltage : 750V min
 Insulation Resistance : 5000MΩ min
 Temperature range : -55~+145°C

RoHS Compliant



SMA-Right Angle-PLUG
 Reverse Polarity
 for Cable-UT141, RG402

Connector parts	Materials	Finish
Coupling Cap	Brass	Gold Plated
Body,Cap	Brass	Gold Plated
Center contact	BeCu	Gold Plated
Insulator	PTFE	-
Retainer Ring	Stainless steel	Passivated
Gasket	Silicone rubber	-

CUSTOMER

NO.	DESCRIPTION	Q'TY	MATERIAL	FINISH	REMARKS.
PARTS No.	SMA-302-012	NAME	SMA-LP RP UT141		APPROVED
MATERIAL	FINISH	TOLERANCES OTHERWISE SPEC. ±0.05		ANGLES ±1°	CHECKED
SCALE N/S		UNIT mm			DESIGNED S.J.LEE
DONGJIN TI.		DWG NO. SMA-302-012		DATE. 18/JUN/2006	