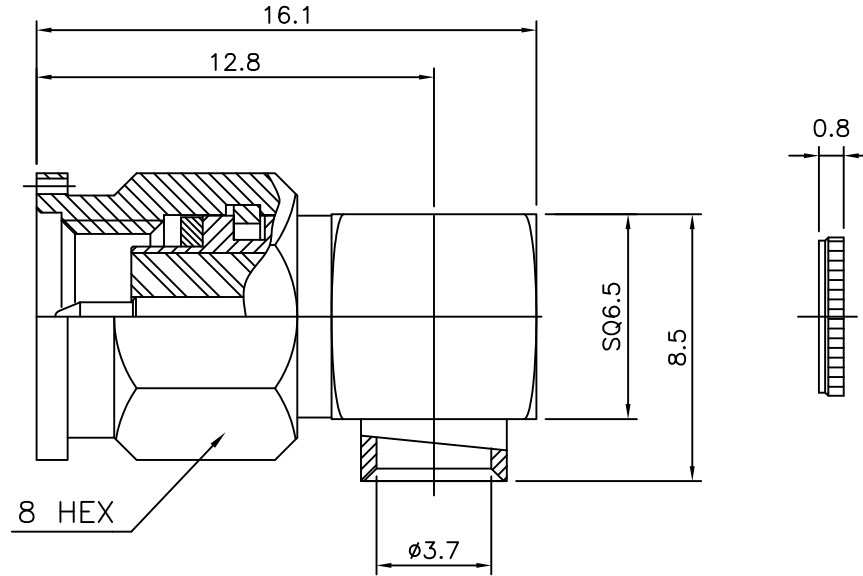


1	2	3	4	5	6
No.	Revision			Date	Name
△					
△					

ELECTRICAL RATINGS

Impedance : 50 ohm
 Frequency Range : DC~12.4GHz
 V.S.W.R : 1.10 +0.1xF(GHz)
 Insertion loss : 0.05 \sqrt{F} (GHz)
 Working Voltage : 335 VRMS max
 Dielectric Withstanding Voltage : 750V min
 Insulation Resistance : 5000MΩ min
 Temperature range : -55~+145°C

RoHS Compliant



SMA-Right Angle-PLUG
 for Cable-UT141
 (with Wire lock hole)

Connector parts	Materials	Finish
Coupling Cap	Stainless steel	Passivated
Body,Cap	Stainless steel	Gold Plated
Center contact	BeCu	Gold Plated
Insulator	PTFE	-
Gasket	Silicone rubber	-

NO.	DESCRIPTION	Q'TY	MATERIAL	FINISH	REMARKS.
PARTS No.	SMA-302-016		NAME	SMA-LP-141	APPROVED
MATERIAL	FINISH	TOLERANCES OTHERWISE SPEC. ±0.05		ANGLES ±1°	CHECKED
SCALE N/S		UNIT mm			DESIGNED S.J.LEE
		DWG NO.		SMA-302-016	DATE. 15/JAN/2014

CUSTOMER