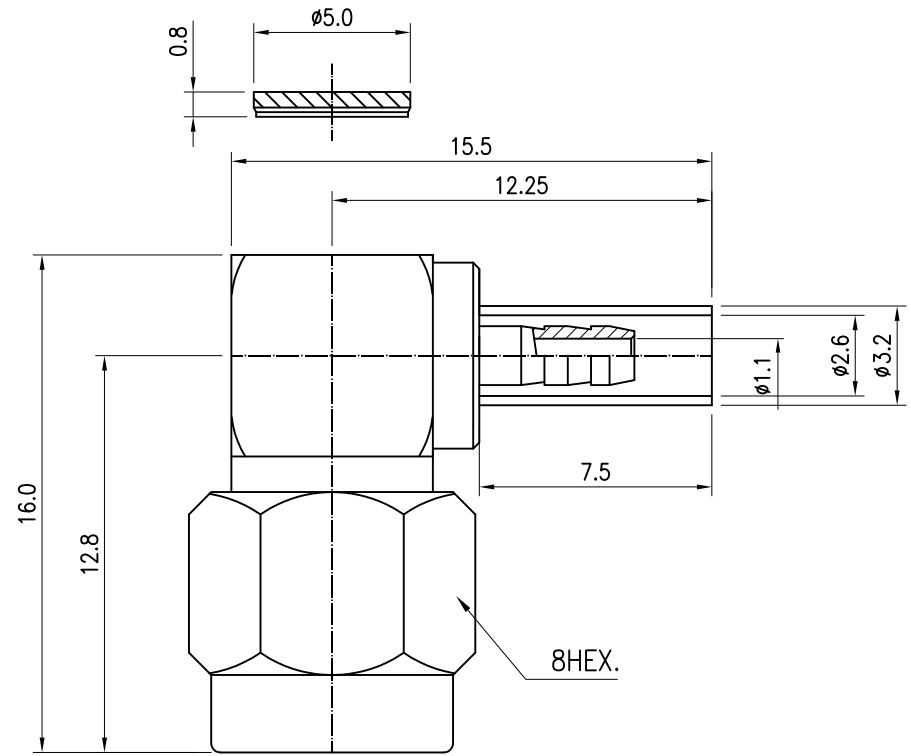


No.	Revision	Date	Name
△	PN Change from 1S-310-00	04/10/2013	B.G.YUN
△			

RoHS Compliant



SMA-Right Angle-PLUG
for Cable-RG178

Connector parts	Materials	Finish
Coupling Cap	Brass	Gold Plated
Body	Brass	Gold Plated
Center contact	Brass	Gold Plated
Insulator	PTFE	-
Ferrule	Brass	Gold Plated

CUSTOMER

NO.	DESCRIPTION	Q'TY	MATERIAL	FINISH	REMARKS.
PARTS No.	SMA-310-001	NAME	SMA-LP-178		APPROVED
MATERIAL	FINISH	TOLERANCES OTHERWISE SPEC.	±0.05	ANGLES ±1°	CHECKED
SCALE	UNIT mm			DESIGNED S.J.LEE	
DWG NO.	SMA-310-001		DATE. 23/JUN/2006		

