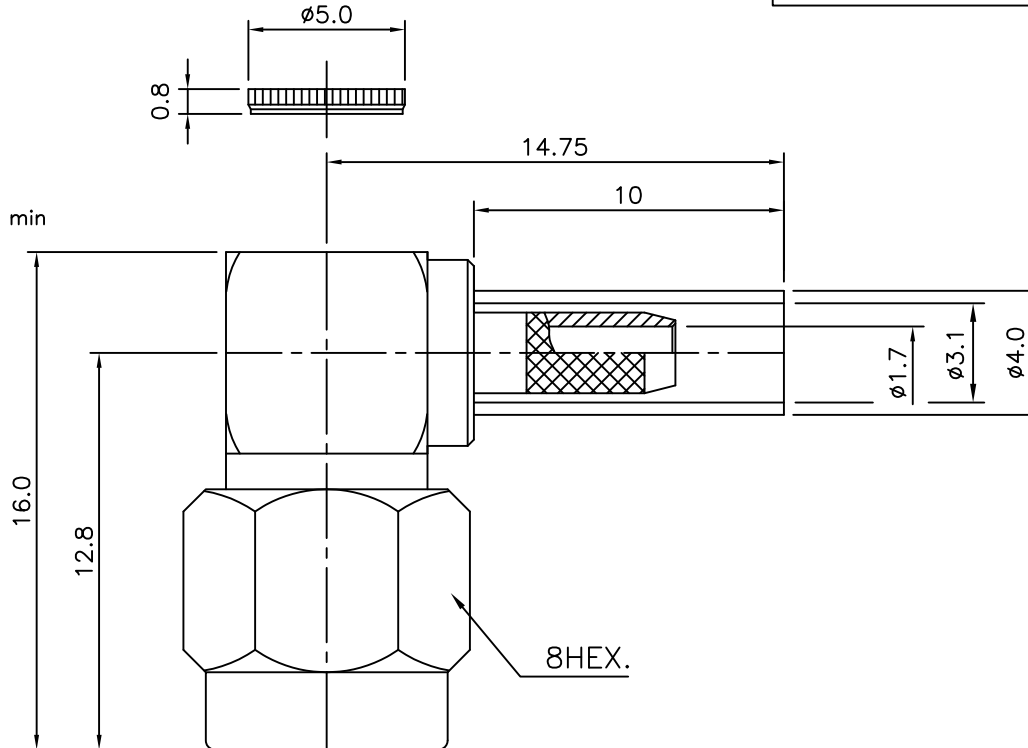


NOTES:

1. This Connector is SMA Right angle PLUG
2. ELECTRIC SPEC:
 - 2.1 Impedance: 50ohm
 - 2.2 Frequency Range: DC~6.0 GHz
 - 2.3 Voltage rating: 500 volts peak
 - 2.4 Dielectric Withstanding Voltage: 1000 VRMS
 - 2.5 VSWR: 1.25 Max
 - 2.6 Contact Resistance
 - 2.6.1 Center Contact: 2.0 Milliohms
 - 2.6.2 Outer Contact: 2.0 Milliohms
 - 2.7 Insulation Resistance: 5000 megohms
3. MECHANICAL DATA:
 - 3.1 Mating: .250-36 threaded coupling
 - 3.2 Recommended Mating torque: 15 inch-pounds
 - 3.3 Connector Durability: 500 mating and unmating cycles 12 cycles per min
4. ENVIRONMENTAL DATA:
 - 4.1 Temperature Range: -55°C to +155°C

No.	Revision	Date	Name
▲	PN Change from 1S-311-00	24/06/2013	B.G.YUN
▲			

RoHS Compliant



Connector parts	Materials	Finish
Coupling Cap	Brass	Gold Plated
Body,Cap	Brass	Gold Plated
Center contact	Brass	Gold Plated
Insulator	PTFE	-
Gasket	Silicone rubber	-
Ferrule	Brass	Gold Plated

SMA-Right Angle-PLUG
for Cable-RG316,174

NO.	DESCRIPTION	Q'TY	MATERIAL	FINISH	REMARKS.
PARTS No.	SMA-311-001		NAME	SMA-LP-316	APPROVED
MATERIAL	FINISH	TOLERANCES OTHERWISE SPEC. ±0.05		ANGLES ±1°	CHECKED
SCALE		UNIT	mm		DESIGNED S.J.LEE
DWG NO.		SMA-311-001		DATE. 07/MAY/2006	

CUSTOMER

