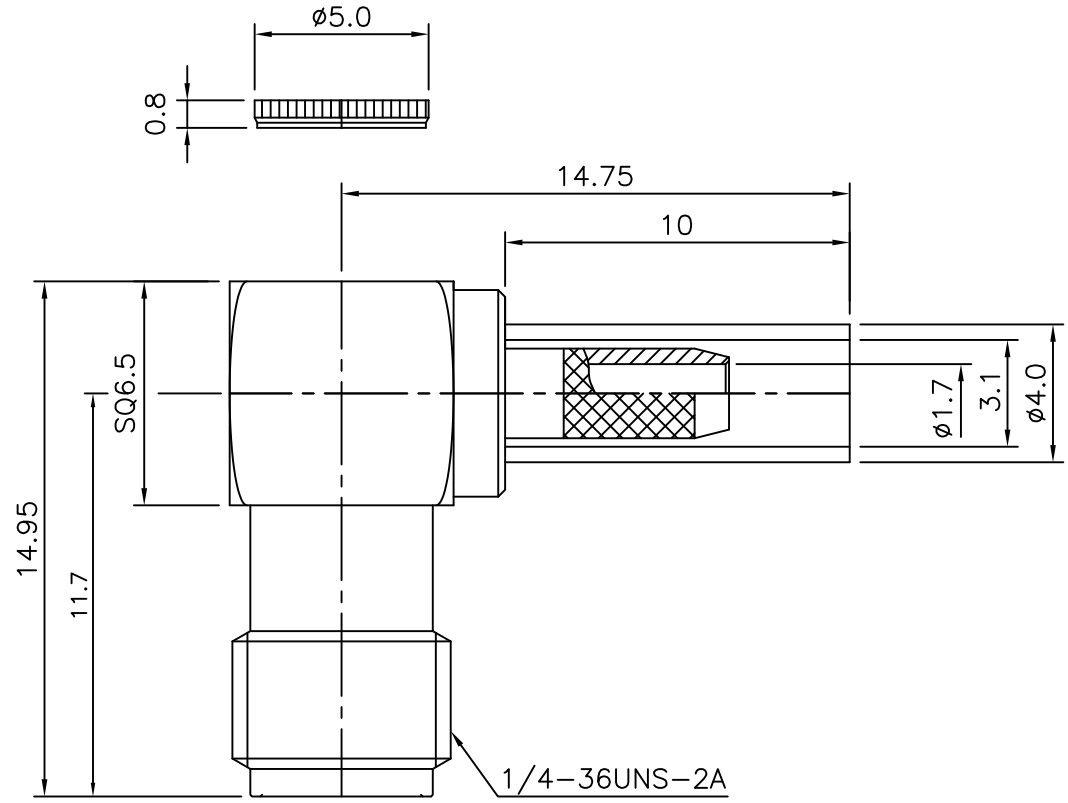


4	No.	Revision	5	Date	6
	△	PN Change from 1S-321-00		10/FEB/2014	S.J.PARK
	△				



Connector parts	Materials	Finish
Body	Brass	Gold Plated
Center contact	Beryllium copper	Gold Plated
Ferrule	Brass	Gold Plated
Insulator	PTFE	-

SMA-Right Angle-JACK
for Cable-RG316

NO.	DESCRIPTION	Q'TY	MATERIAL	FINISH	REMARKS.
PARTS No.	SMA-311-002		NAME	SMA-LJ-316	APPROVED
MATERIAL	FINISH	TOLERANCES OTHERWISE SPEC. ±0.05		ANGLES ±1°	CHECKED
SCALE		UNIT	mm		DESIGNED S.J.LEE
DWG NO.		SMA-311-002		DATE.	07/FEB/2007

CUSTOMER

