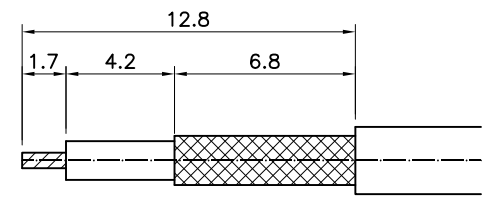
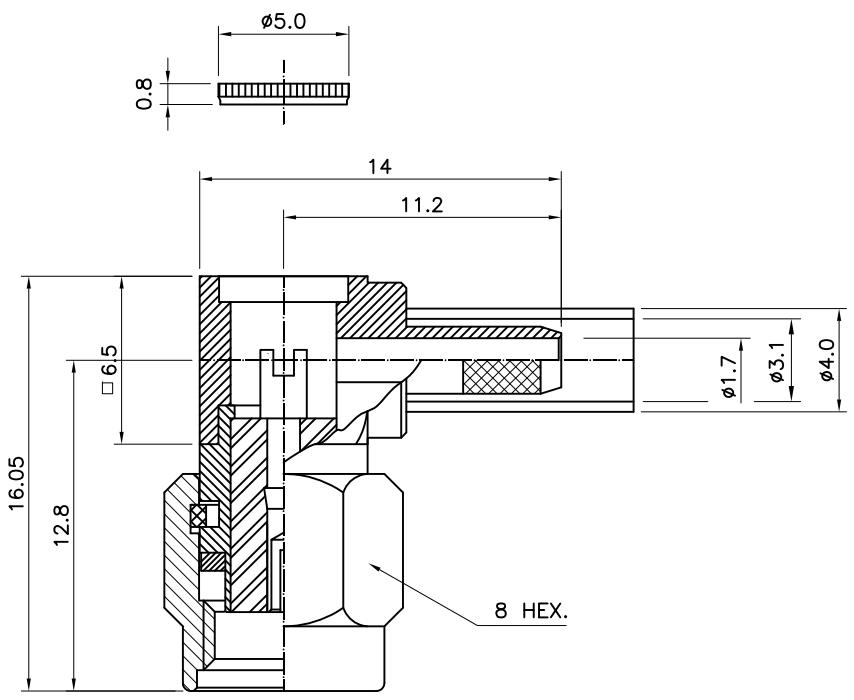


4	5	6	
No.	Revision	Date	Name
△	PN Change from 1S-311RP-00	09/09/2013	B.G.YUN
△			

RoHS Compliant



Recommended Stripping DIM'S

Recommended CRIMO DIES : HEX3.3

SMA-Right Angle-PLUG
 REVERSE POLARITY
 for Cable:RG-174,316/U

Connector parts	Materials	Finish
Coupling Cap	Brass	Gold Plated
Body	Brass	Gold Plated
Center contact	Be-Cu	Gold Plated
Ferrule	Brass	Gold Plated
Insulator	PTFE	-

CUSTOMER

NO.	DESCRIPTION	Q'TY	MATERIAL	FINISH	REMARKS.
PARTS No.	SMA-311-017		NAME	SMA-RA-P316,174 REVERSE POLARITY	APPROVED
MATERIAL	FINISH	TOLERANCES OTHERWISE SPEC. ±0.05		ANGLES ±1°	CHECKED
		SCALE	UNIT	mm	DESIGNED S.J.LEE
		DWG NO.	SMA-311-017		DATE. 09/SEP/2013

