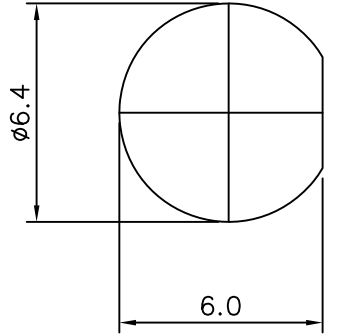


4	5	6	
No.	Revision	Date	Name
△	PN Change from 1S-401-00	05/FEB/2014	S.J.PARK
△			

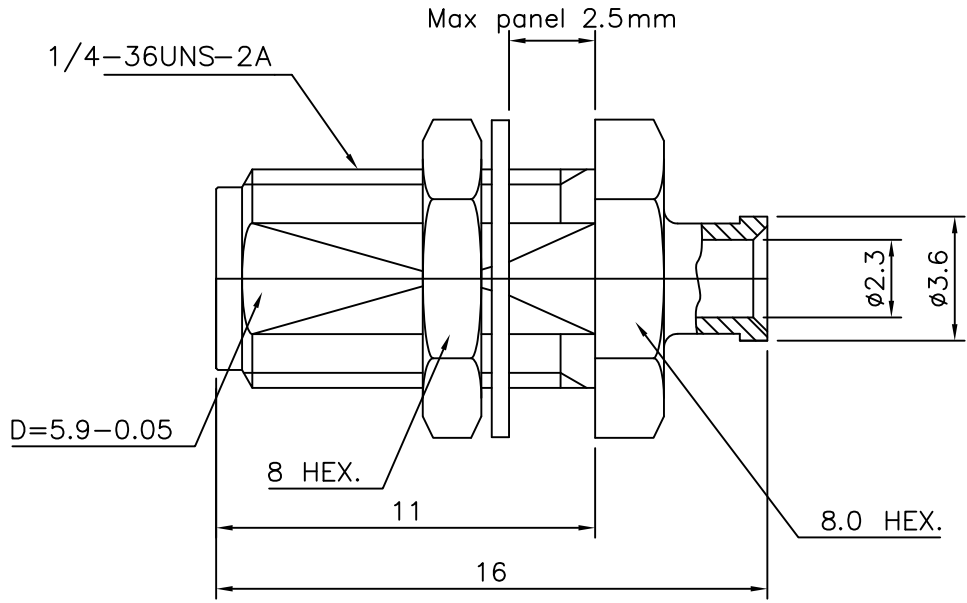
SPECIFICATIONS.

- 1.1 Impedance: 50ohm
- 1.2 Frequency Range: DC TO 18GHz
- 1.3 Working Voltage rating: 335 Vrms
- 1.4 Dielectric Withstanding Voltage: 1000 Vrms
- 1.5 VSWR: 1.2:1 Max @ 12GHz

RoHS Compliant



MOUNTING HOLE



SMA-Bulkhead JACK
for Cable-UT085

Connector parts	Materials	Finish
Body,Nut,Washer	Brass	Gold Plated
Center contact	Beryllium copper	Gold Plated
Insulator	PTFE	-

CUSTOMER

NO.	DESCRIPTION	Q'TY	MATERIAL	FINISH	REMARKS.
PARTS No.	SMA-401-001	NAME	SMA-BJ-085		APPROVED
MATERIAL	FINISH	TOLERANCES OTHERWISE SPEC. ±0.05		ANGLES ±1°	CHECKED
		SCALE	UNIT mm		DESIGNED S.J.LEE
		DWG NO.	SMA-401-001		DATE. 2001.05/22