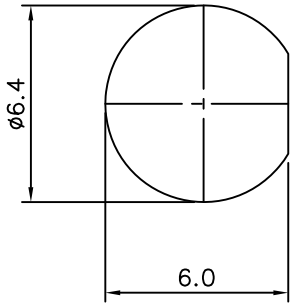


No.	Revision	Date	Name
▲	PN Change from 1S-401-01	20/NOV/2013	S.J.PARK
▲			

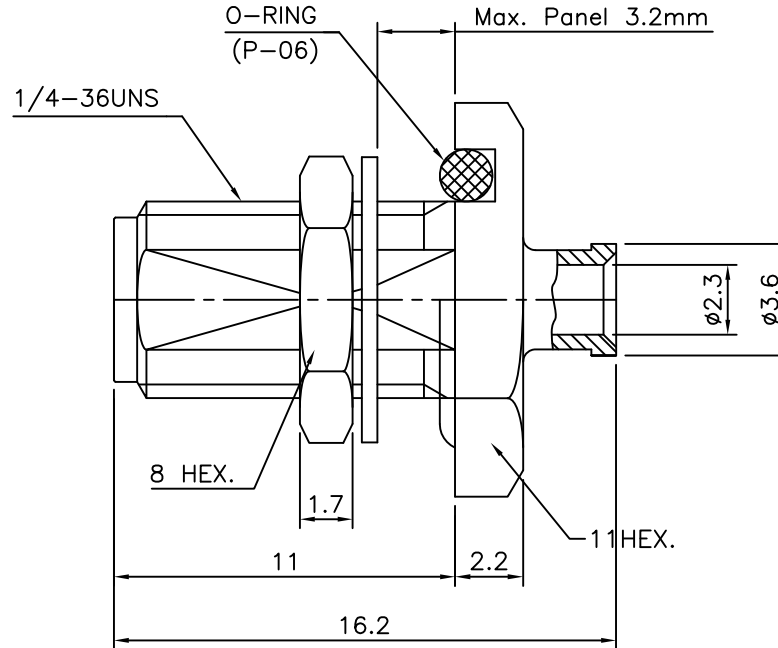
**SPECIFICATIONS.**

- 1.1 Impedance: 50ohm
- 1.2 Frequency Range: Per cable per MIL-C-17
- 1.3 Working Voltage rating: 335 Vrms
- 1.4 Dielectric Withstanding Voltage: 1000 Vrms
- 1.5 VSWR: 1.2:1 Max
- 1.6 Insulation Resistance: 5,000 megohms
- 1.7 Connector Durability: 500 mating
- 1.8 Temperature Range: -45°C~155°C

RoHS Compliant



MOUNTING HOLE



SMA-Bulkhead JACK with SEAL  
for Cable-UT085

Connector parts	Materials	Finish
Body,Nut,Washer	Brass	Gold Plated
Center contact	Beryllium copper	Gold Plated
Insulator	PTFE	-
O-Ring	Silicone Rubber	-

NO.	DESCRIPTION	Q'TY	MATERIAL	FINISH	REMARKS.
PARTS No.	SMA-401-002		NAME	SMA-BJ-085 SEAL	APPROVED
MATERIAL	FINISH	TOLERANCES OTHERWISE SPEC. ±0.05		ANGLES ±1°	CHECKED
		SCALE	UNIT mm		DESIGNED S.J.LEE
		DWG NO.	SMA-401-002		DATE. 2001.05/22

CUSTOMER